

PC12SR-1/1-1064 DKDP (KD*P) Pockels cell

Crystal size: diameter 12 x 24 mm, both ends wedged at 1 deg and parallel

Clear aperture: diameter 11.0 mm

Quarter wave voltage at 1064nm: < 3.4 kV DC

Capacitance: < 6 pF

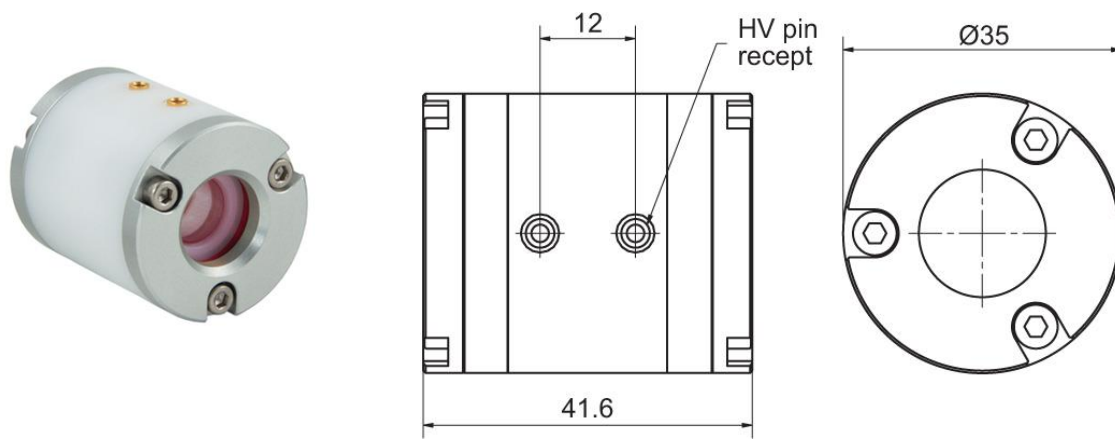
Optical transmission: > 97 % at 1064 nm

Contrast ratio in crossed polarizers (ICR): > 1:2000 (no voltage is applied)

Damage threshold of dielectric AR coatings: > 0.5 GW/cm² (> 5 J/cm²), 1064 nm, 10 Hz, 10 ns

With protective windows on both ends

Cell size: diameter 35 mm x 41.6 mm (L)



Outline picture and drawing of **PC12SR-1/1** DKDP (KD*P) Pockels cell

The specifications are subject to change without any notice in advance.