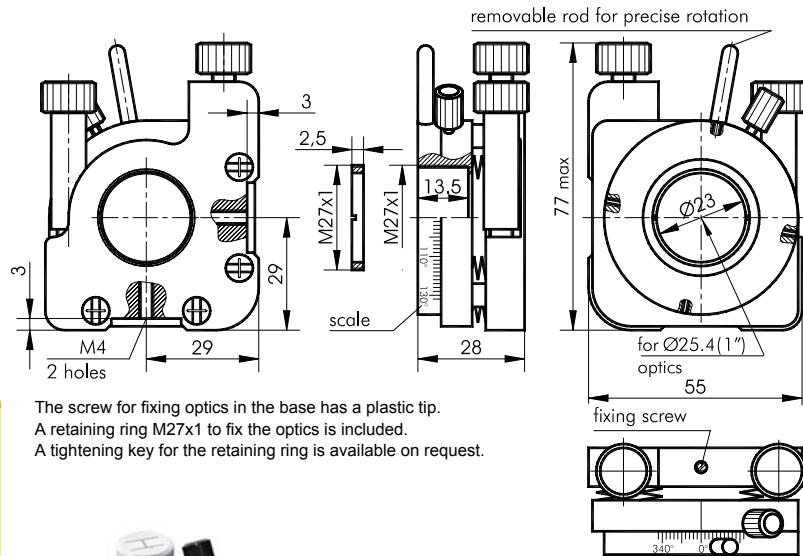


840-0197
**OPTICAL MOUNT OF SIDE DRIVE
WITH ADJUSTABLE POLARIZER HOLDER**


The screw for fixing optics in the base has a plastic tip.
A retaining ring M27x1 to fix the optics is included.
A tightening key for the retaining ring is available on request.

- For $\varnothing 25.4$ mm (1 inch) optics
- Clear aperture 23 mm
- Kinematic design
- Dimensions most compact among 1 inch optics mounts
- Tilt/tip range $\pm 2^\circ$
- Sensitivity 3 arcsec
- Both tilt and tip controlled from aside the optical path
- Ideal for dense optical schemes
- Fine adjustment screws with 0.25 mm pitch
- Hardened seats under adjustment screws
- Rotation range 360°
- Scale gradation 2°
- Accepts two pieces of optics:
 - on the platform (adjustable),
 - and on the base (not adjustable)



*back view
the base has an aperture
for the second optics
(not adjustable)*

Code	Weight, kg	Price, EUR
840-0197	0.13	169

OPTICAL
TABLESBRACKETS &
RAILSBASE MOUNTS &
ACCESSORIESOPTICAL
MOUNTSOPTICAL
POSITIONERSBASE
POSITIONERSTRANSLATION &
ROTATION STAGESADJUSTMENT
SCREWSMOTORIZED
POSITIONERS