

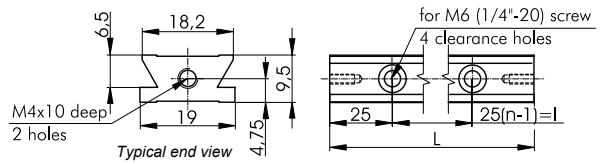


Brackets & Rails

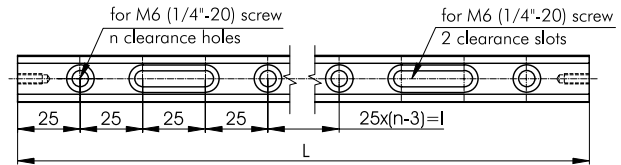
810-0001 NARROW ALUMINIUM OPTICAL RAIL

- Small Optical Rails
- Available in sizes from 75 mm (3") to 600 mm (24")
- Compact Low-profile dovetail design
- Precision CNC machined on all surfaces
- Material: black anodized aluminium

Model	L, mm	n	l	Weight, kg	Price, EUR
810-0001-75	75	2	25	0.025	21
810-0001-125	125	4	75	0.04	30
810-0001-150	150	5	100	0.05	32
810-0001-300	300	7	100	0.1	55
810-0001-450	450	13	250	0.15	80
810-0001-600	600	19	400	0.2	105



810-0001-75; 810-0001-125; 810-0001-150



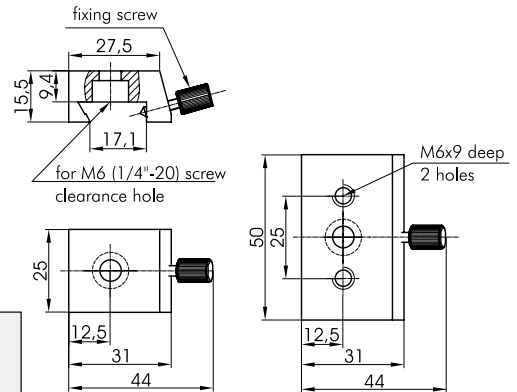
810-0001-300; 810-0001-450; 810-0001-600;

810-0002 NARROW ALUMINIUM RAIL CARRIERS

- Essential Carriers for Optical Rail Setups
- Compact Dovetail design
- Precision Machined dovetail clamps
- Material: Black anodized aluminium
- For metric and inch



810-0002-01

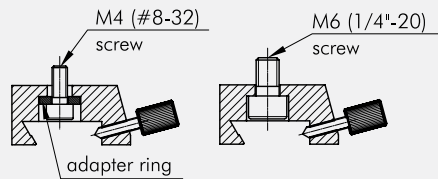


810-0002-01

810-0002-02

Narrow Aluminium Rail Carrier – Adapter Ring

Narrow aluminium rail carrier adapter ring gives possibility an M4 (#8-32) screw to be used in a mounting hole that was counter-bored for a M6 (1/4"-20) screw.



Code	Price, EUR
810-0002-01	18
810-0002-02	20