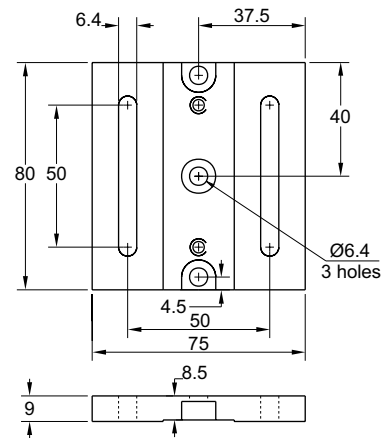


820-0090 MOVABLE BASE



The 820-0090 movable base provides 50 mm longitudinal translation of one or two mounted rod holders, translators or riser blocks.
Finish: black anodized aluminium.

Code	Weight, kg	Price, EUR
820-0090	0.12	12.7



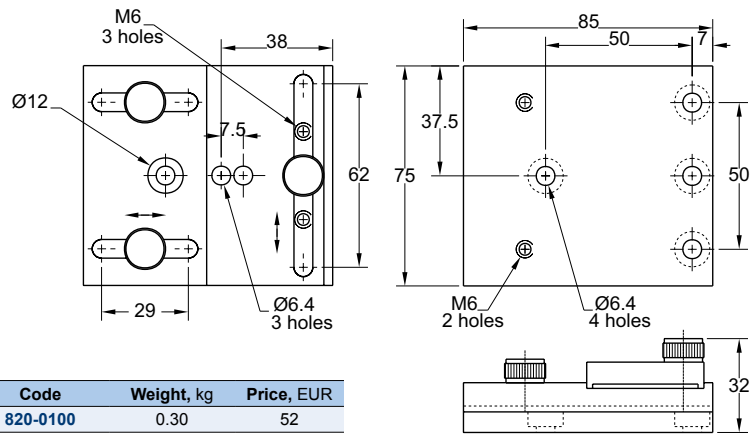
820-0100 MOVABLE BASE



The 820-0100 adjustable base provides separate X-Y adjustment. It is cost-effective solution of non-critical two axes positioning of rod holders, translators and riser blocks.
Finish: black anodized aluminium.

Finish: black anodized aluminium.

Code	Weight, kg	Price, EUR
820-0100	0.30	52



820-0110 TABLE BASES



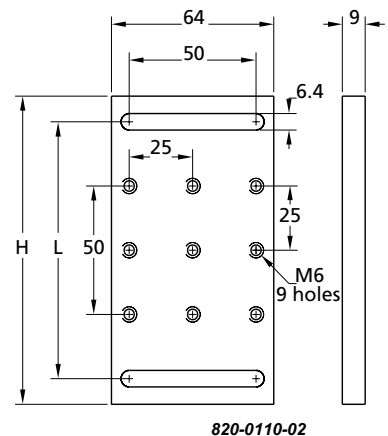
820-0110-02



820-0110-04

The 820-0110-02 and 820-0110-04 standart table bases with 9 and 12 threaded M6 holes respectively allow positioning of all basemounted accessories with M6 tapped holes or male threads anywhere on a table fixing by M6 screws or 820-0230-02 and 820-0230-04 table clamps. Two slots, with 100 or 125 mm distance allow longitudinal positioning along a line of holes in the table.
Finish: black oxidized steel.

Code	H, mm	L, mm	Weight, kg	Price, EUR
820-0110-02	120	100	0.48	13.0
820-0110-04	145	125	0.57	16.4



820-0110-02