

## 992 • 993 • 994

## MOUNTED IRIS DIAPHRAGMS



In optics there are a lot of fields where accurate amount of light, precise projection, specific depth of focus and other requirements are necessary. For such areas the use of iris diaphragms is one of the best options. These applications are met in industry of optics, opto-electronics, laser and medical technology, lightening technology and other. Our iris diaphragms are made of high quality materials. Also, we use highest manufacturing standards. These points lead to reliability and durability of our products.

## DESIGN

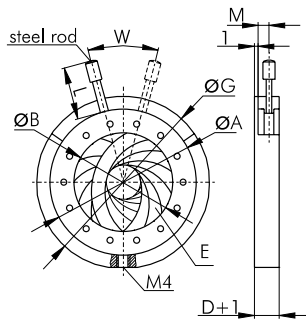
Our iris diaphragms consist of leaves and case. Leaves are made of hardened spring steel. Stainless chrome nickel steel can be used when better resistance to heat is necessary. The surface of leaves is polished and reducing the reflections. The edges of the leaves are rounded to

achieve smooth operation. For increasing the slip of leaves an invisible coating is applied. Next, protection from corrosion is guaranteed by particular polishing process. Further, for producing the case, corrosion resistant aluminum alloy is used. Fine mat black look is achieved by black-anodizing the surface of the case.

## CUSTOM MODELS

We have a wide variety of iris diaphragms that suit to different applications. Also, we introduce the series of fully closing iris diaphragms to meet the needs of all customers. Nevertheless, if you don't find suitable model, we can make custom iris diaphragm. The changes can be made in dimensions, form; it can be adapted to high temperatures, adapted for special fastening or modified according to your other requests.

## Mounted Zero Aperture Iris Diaphragms (992 Series)



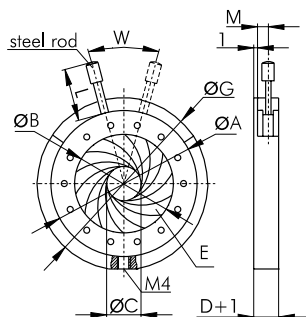
Code	A, Outer Diameter, mm	G, mm	B, Max. Aperture, mm	C, Min. Aperture, mm	D, Thickness, mm	E, Number of Leaves	Tab/ Pin	L, mm	M, mm	W, mm	N/H
992-2512M	25	32.5	12	-	5	12	Pin	12	2.5	96	H/N
992-2915M	29	36.5	15	-	5	12	Pin	12	2.5	97	H/N
992-3922M	39	46	22	-	5	14	Pin	11	2.5	99	H/N

AR - Leaves with AR coating, for temperatures up to 180 °C

N - Springsteel, black finished, for temperatures up to 250 °C

H - Stainless steel, for temperatures up to 400 °C  
HT - High-temperature alloy for up to 1000 °C

## Mounted Iris Diaphragms with Retainer (993 Series)



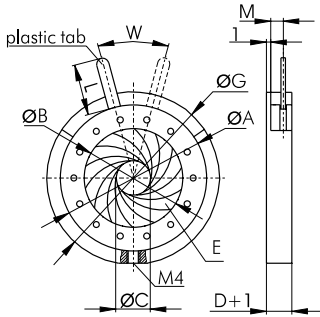
Code	A, Outer Diameter, mm	G, mm	B, Max. Aperture, mm	C, Min. Aperture, mm	D, Thickness, mm	E, Number of Leaves	Tab/ Pin	L, mm	M, mm	W, mm	AR/N/H
993-2214M	22	29.5	14	1	5	10	Pin	10	2.7	94	AR/N
993-2415M	24	31	15	1	5	12	Pin	13	2.7	89	N/H
993-3725M	37	44	25	1.5	5.5	15	Pin	13	3	94	N/H
993-4934M	49	56	34	2	6.5	14	Pin	13	3.4	93	AR/H
993-5036M	50	57	36	2.5	6	16	Pin	13	3.2	93	N
993-7050M	70	77	50	2.5	7	18	Pin	15	3.8	93	N
993-1488M	14.8	23	8	1	4.5	9	Pin	6	2.5	77	N
993-1482M	14	22	8.2	0.5	4	8	Pin	6	2.4	84	N

AR - Leaves with AR coating, for temperatures up to 180 °C

N - Springsteel, black finished, for temperatures up to 250 °C

H - Stainless steel, for temperatures up to 400 °C  
HT - High-temperature alloy for up to 1000 °C

**Mounted Screwed Iris Diaphragms (994 Series)**

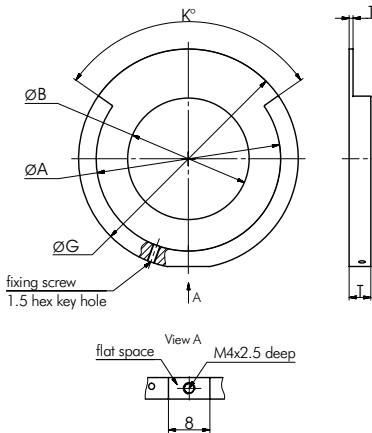


Code	A, Outer Diameter, mm	G, mm	B, Max. Aperture, mm	C, Min. Aperture, mm	D, Thickness, mm	E, Number of Leaves	Tab/ Pin	L, mm	M, mm	W, mm	AR/N/H
994-2214M	22	29.5	14	1	6	10	Tab	12	2,8	91	N
994-3118M	31	38	18	1,5	6.5	11	Tab	10	3,4	85	N
994-4830M	48.5	55.5	30	1,2	7	10	Tab	10	3,7	87	N
994-7050M	70	77	50	2,5	7	18	Tab	13	3,9	93	N
994-1508M	15	23	8	1	5,3	9	Tab	5	2,3	75	N
994-1585M	15,5	23	8,5	1	5,3	9	Tab	8	2,3	85	N

AR - Leaves with AR coating, for temperatures up to 180 °C  
 H - Stainless steel, for temperatures up to 400 °C  
 N - Springsteel, black finished, for temperatures up to 250 °C  
 HT - High-temperature alloy for up to 1000 °C

**992-34**

**MOUNTS FOR IRIS DIAPHRAGMS**



Code	G, mm	A, mm	B, mm	T, mm	K, deg
992-34-10	18	10	6	6	106
992-34-12	20	12	9	6	122
992-34-14	22	14	10	6	140
992-34-14.8	23	14.8	10	6	130
992-34-15	23	15	10	6.3	123
992-34-15.5	23	15.5	10.5	6.3	125
992-34-19.8	28	19.8	14	7	125
992-34-22	29.5	22	16	7	130
992-34-24	31	24	17	6	123
992-34-25	32.5	25	14	6	127
992-34-28	35.5	28	20	6	125
992-34-29	36.5	29	17	6	125
992-34-30	37.5	30	22	6.5	125
992-34-31	38	31	20	7.5	110
992-34-37	44	37	27	6.5	116
992-34-39	46	39	24	6	120
992-34-40	48	40	29	7	112
992-34-48	55.5	48	32	6	116
992-34-48.5	55.5	48.5	32	8	104
992-34-49	56	49	36	7.5	110
992-34-50	57	50	38	7	110
992-34-60	67	60	42	8	104
992-34-70	77	70	52	8	105
992-34-82	89	82	62	9	105