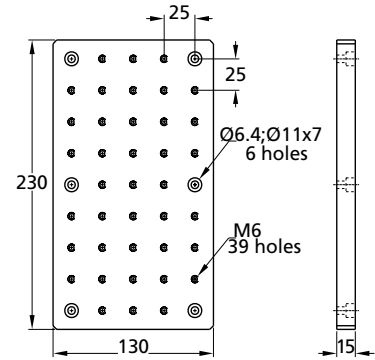


810-0070 LARGE TABLE BASE



The model 810-0070 large table base could be used in the same way as standard ones as well as could be mounted above the optical table (on large rods or on the side of the table). This allows to transfer subassemblies from main optical surface.

Finish: black oxidized steel.

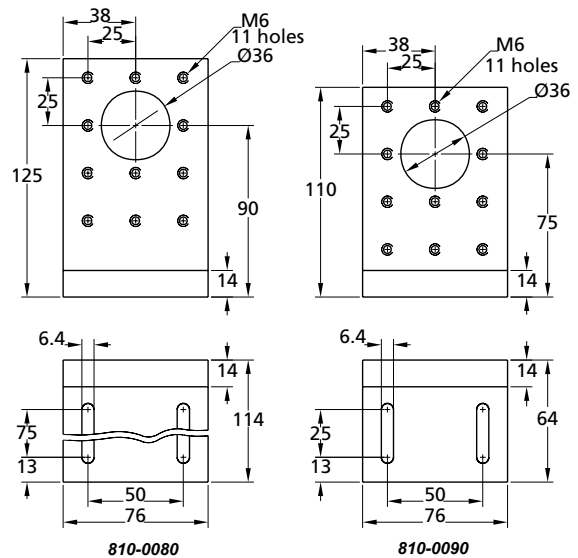
Code	Weight, kg	Price, EUR
810-0070	3.33	49

810-0080 • 810-0090 ANGLE BRACKETS



810-0080

810-0090



810-0080

810-0090

The 810-0090 standard and 810-0080 large angle brackets have M6 tapped holes on 25 mm centers. The slots in the base allow longitudinal positioning on the table top. These brackets are especially useful for translators 860-0020, 860-0030, 860-0040 and 860-0050 mounting.

Orthogonal surfaces of models 810-0080 and 810-0090 are perpendicular within 0.015 mm.

Finish: black oxidized steel.

Code	Weight, kg	Price, EUR
810-0080	1.60	35
810-0090	1.13	31

Complementary Products

Code	Page
860-0020	8.105
860-0030	8.105
860-0040	8.105
860-0050	8.105