

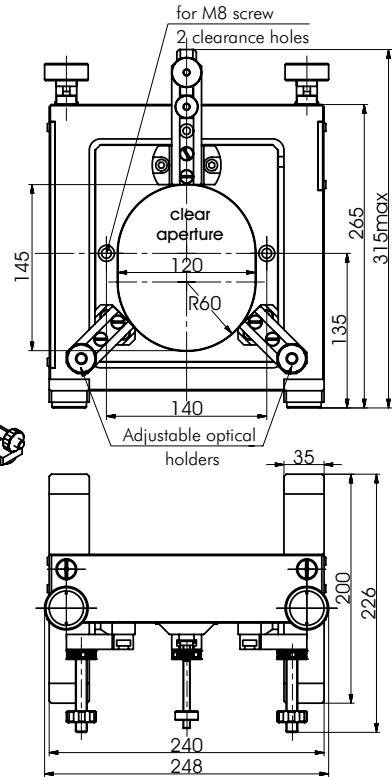
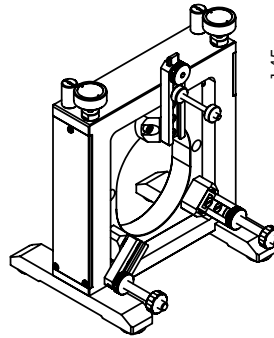


Optical Positioners

840-0005 LARGE ADJUSTABLE KINEMATIC OPTICAL MOUNT

- Rigid design
- Long-term stability
- Compact
- Adjustment screw thread pitch – 0.25 mm; vertical screw placement
- Additional accessories

Super fine and stable Kinematic Optical Mounts 840-0005 and 840-0005-01 for large and heavy optics. Optionally universal element holder can be mounted from the backside of the holder to easily adapt the holder for test parts of various sizes and shapes.



SPECIFICATIONS

Fine screw thread	M6x0.35
Axes	
840-0005	2
840-0005-01	3
Horizontal rotation range	±1.5°
Vertical yaw range	±1.5°
Sensitivity	0.5 arcsecond
Load capacity	10 kg
Compatible with optical elements	
Diameter	115÷250 mm*
Thickness	up to 52 mm**

* Optics diameter up to 500 mm on request

** Optics thickness up to 100 mm on request

Code	Axes	Weight, kg	Price, EUR
840-0005	2	10.1	1134
840-0005-01	3 *	10.3	1490

* x axis translation range 30 mm.

- OPTICAL TABLES
- BRACKETS & RAILS
- BASE MOUNTS & ACCESSORIES
- OPTICAL MOUNTS
- OPTICAL POSITIONERS
- BASE POSITIONERS
- TRANSLATION & ROTATION STAGES
- ADJUSTMENT SCREWS
- MOTORIZED POSITIONERS