

840-0056 KINEMATIC MIRROR / BEAMSPLITTER MOUNTS

- 1", 2", 3" optics mounts
- Tilt range 9° (about two axes)
- Travel range 4 mm
- Sensitivity of 3 arcsec and 1 μm
- Mounting on either of 2 sides
- Two models: round and square aperture
- Kinematic
- Clear edge design
- A screw pulses via seat of hardened stainless steel
- "Mirror" version available
- Material: black anodized aluminum
- Available motorized version 940-0060



840-0056-11

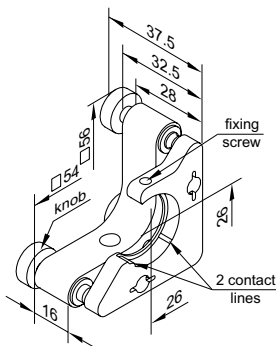
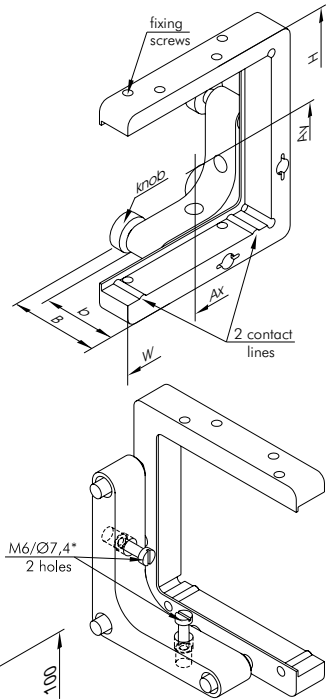
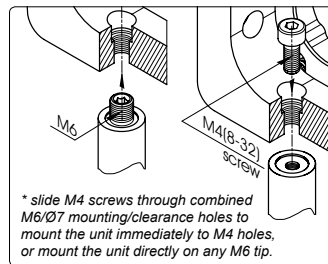


840-0056-22

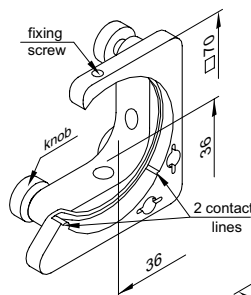
Kinematic Mirror / Beamsplitter Mounts 840-0056 are used for precise angular and linear alignment of optical elements. We provide two types of kinematic mirror/beamsplitter mounts: for round optical elements (840-0056-11; 840-0056-12; 840-0056-13) and for square optical elements (840-0056-21; 840-0056-22; 840-0056-23).

840-0056 has a resting flange to stop the optics. One fixing screw (two in "square" mounts) secures the optics against 2 contact lines, which make 2 contact points. To prevent damage to the optics, the tip of the fixing screw is made of plastic. Square mounts 840-0056-20 additionally have 4 fixing screws for thin optics. They have conic tips to work as wedges to clutch a thin plate of optics to the resting flange. For thick optics square mounts have 2 screws rather than one.

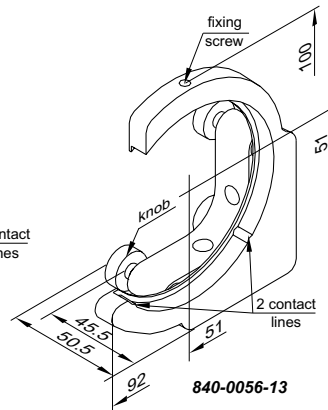
A platform is preloaded by two strong coil springs, ensuring tight kinematic fit. A thick base adds to stability. This allows to eliminate part of the mount, keeping clear one edge of the optics. Useful in schemes where beams go very close to each other. As standard, mounts come with screws 870-0080. See section 870 for the alternative screws. You may order the mounts with 2 or 3 adjustment screws. The prices are given of kinematic mirror/beamsplitter mounts with 3 driving screws.



840-0056-11



840-0056-12



840-0056-13

RELATED PRODUCTS

- Motorized version 940-0060-01

See page 8.150 for more information.



Code	H, mm	W, mm	B, mm	b, mm	Ax, mm	Ay, mm	Price, EUR
840-0056-21	56	56	37.5	32.5	26	26	87
840-0056-22	72.5	64	37.5	32.5	37.4	38.2	129
840-0056-23	102.5	92.5	50.5	45.5	53.6	55.4	182

Code	Description	Price, EUR
840-0056-11	for 1" optics	75
840-0056-12	for 2" optics	115
840-0056-13	for 3" optics	166

OPTICAL TABLES
BRACKETS & RAILS
BASE MOUNTS & ACCESSORIES
OPTICAL MOUNTS
OPTICAL POSITIONERS
BASE POSITIONERS
TRANSLATION & ROTATION STAGES
ADJUSTMENT SCREWS
MOTORIZED POSITIONERS