

Optics diameter range	5-100 mm or 5-150 mm
Tilt/tip range	$\pm 2^\circ$
Options	Translation Stage 860-0052 Base plate

Code	Optics Diameter Range	Price, EUR
840-0007-10	5-100 mm	380
840-0007-15	5-150 mm	500

Complementary Products	
Code	Page
860-0052	8.108

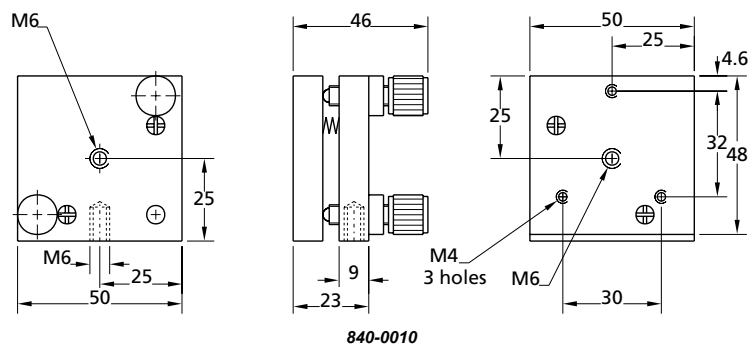
840-0010 • 840-0020 • 840-0030 KINEMATIC MIRROR AND BEAMSPLITTER MOUNTS (STEEL)



The compact model 840-0010 mirror, model 840-0020 and 840-0030 mirror/beamsplitter mounts provide fine and smooth angular alignment of mounted elements. They are designed for stable orientation of mirrors, beamsplitters, prisms and other optical components.

Models 840-0020 and 840-0030 offer gentle, 3-point (plastic type pads and plastic ended screw for fixation) support of 22-26 mm dia optics.

Mirrors can be directly bonded to the model 840-0010 mount. Alternatively, model 840-0010 mount could be used as precision kinematic tilt stage which is mounted on series 820-0010 standard rods in series 820-0050 rod holders or series 820-0040 rod translators.



OPTICAL
TABLES

BRACKETS &
RAILS

BASE MOUNTS &
ACCESSORIES

OPTICAL
MOUNTS

OPTICAL
POSITIONERS

BASE
POSITIONERS

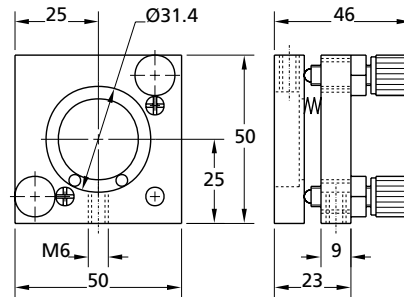
TRANSLATION &
ROTATION STAGES

ADJUSTMENT
SCREWS

MOTORIZED
POSITIONERS



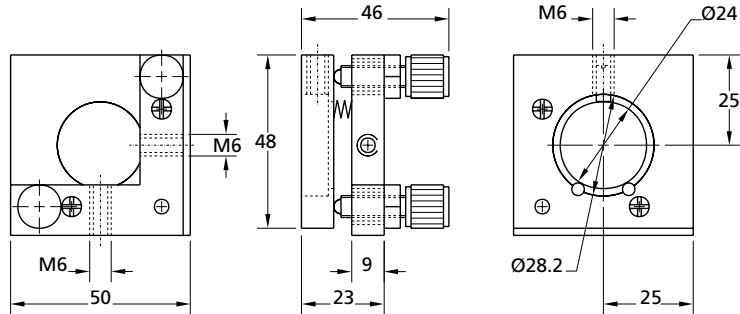
840-0020



840-0020



840-0030-02



840-0030



Mounting option:
Kinematic Mirror and
Beamsplitter Mount **840-0020**,
Glan Laser Polarizing
Prism in **M2P** mount,
Solid Base Height Extender
820-0210

Model 840-0010, 840-0020 and 840-0030 mounts could be attached to the table using a number of fixed-height riser blocks and movable bases as well. These provide the most stable, rigid mounting possible. Mounts provide $\pm 6^\circ$ range of orthogonal adjustments with 8 arc-seconds resolution. Model 840-0030 mount provides maximum clear aperture for beamsplitter applications at not-normal incidence angles.

Models 840-0010, 840-0020, 840-0030 are completed with steel screws M6×0.5 mm and brass collar with an outer thread M10×1 mm for mounting.

Additionally, model 840-0010-02, model

840-0020-02 and model 840-0030-02 mounts are completed with model 870-0010 precise screws.

840-0010-04, 840-0020-04 and 840-0030-04 options come with model 870-0020 micrometer screws with reading marks.

Finish: black oxidized steel.



Mounting option:
Movable Base **820-0080**,
Rod Holder **820-0050-04**,
Standard Rod **820-0010-02**,
Kinematic Mirror and
Beamsplitter Mount **840-0020**
and Adapter for Beamsplitter
at 45° **840-0116**

Code	Weight, kg	Price, EUR
840-0010	0.36	56
840-0010-02	0.42	108
840-0010-04	0.42	118
840-0020	0.26	63
840-0020-02	0.32	115
840-0020-04	0.32	125
840-0030	0.22	67
840-0030-02	0.28	119
840-0030-04	0.28	129

Complementary Products

Code	Page	Code	Page
820-0010	8.33	840-0020	8.58
820-0050	8.34	840-0116	8.76
820-0060	8.35	870-0010	8.138
820-0080	8.35	870-0020	8.138
820-0210	8.42		

Mounting option:
Movable Base **820-0080**,
Rod Holder **820-0050-04**,
Standard Rod **820-0010-02**,
Kinematic Mirror
Mount **840-0010** and
Optics Clamp **830-0050**



Mounting option:
Movable Base **820-0060**,
Riser Block **820-0170-02**
and Kinematic Mirror
Mount **840-0010**