

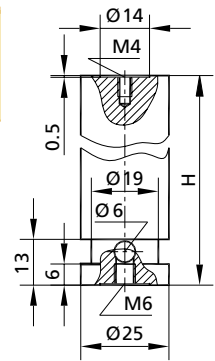
820-0055

FIXED PEDESTALS



- Solid (Ø25 mm) stainless steel rod
- Random positioning
- Exceptional stability

Code	Height H, mm	Weight, kg	Price, EUR
820-0055-05	25	0.08	16
820-0055-10	50	0.17	18
820-0055-15	75	0.26	20
820-0055-20	100	0.36	22
820-0055-30	150	0.55	24
820-0055-40	200	0.72	30



Complementary Products

Code	Page
795-0016	8.32
820-0125	8.37

820-0060

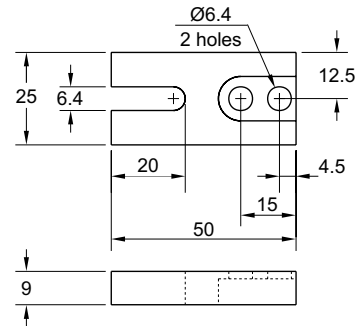
MOVABLE BASE



The 820-0060 movable base is especially convenient for close space situations. Its primary use is to position rods and small riser blocks.

Finish: anodized aluminium.

Code	Weight, kg	Price, EUR
820-0060	0.03	7.3



820-0070

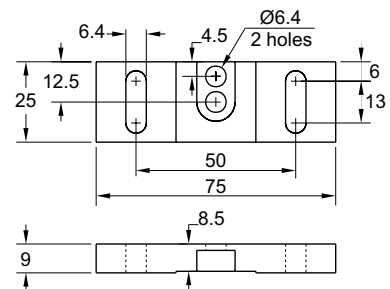
MOVABLE BASE



The 820-0070 movable base has 13 mm translation range. It is useful for small rod holders and riser blocks mounting.

Finish: anodized aluminium.

Code	Weight, kg	Price, EUR
820-0070	0.04	8.6



820-0080

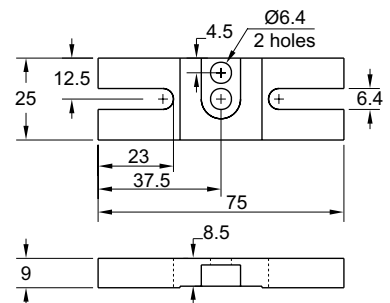
MOVABLE BASE



The 820-0080 movable base provides translation of mounted rod holders, translators over 13 mm range with rigid lockdown.

Finish: anodized aluminium.

Code	Weight, kg	Price, EUR
820-0080	0.04	7.7



OPTICAL TABLES

BRACKETS & RAILS

BASE MOUNTS & ACCESSORIES

OPTICAL MOUNTS

OPTICAL POSITIONERS

BASE POSITIONERS

TRANSLATION & ROTATION STAGES

ADJUSTMENT SCREWS

MOTORIZED POSITIONERS