

VARIABLE ATTENUATOR FOR FEMTOSECOND LASER PULSES 990-0072

Features

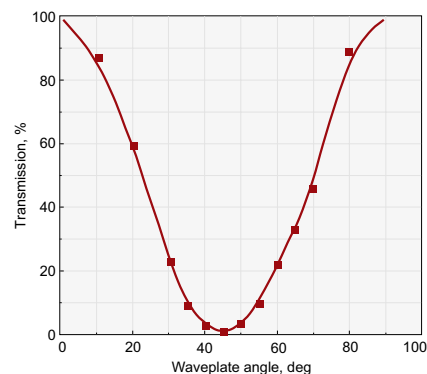
- Divides laser beam into two beams of manually adjustable intensity ratio separated by 68° angle
- Large dynamic range
- Transmitted beam shift ~1 mm
- High optical damage threshold
- Motorized version 990-0072M available online



This variable attenuator/beamsplitter consists of Polarizer Holder 840-0190-01 and Kinematic Mirror/Beamsplitter Mount 840-0056-12. UVFS Thin Film Brewster type polarizer diameter 50.8 mm, which reflect s-polarized light while transmitting p-polarized light, is housed into Beamsplitter Mount 840-0056-12. A quartz Zero Order (optically contacted) Half Waveplate diameter 25.4 mm (for femtosecond applications) or Zero Order Air-Spaced Half Waveplate (for high power applications) is housed in rotating polarizer holder 840-0190-01 and placed in the incident linearly polarized laser beam.

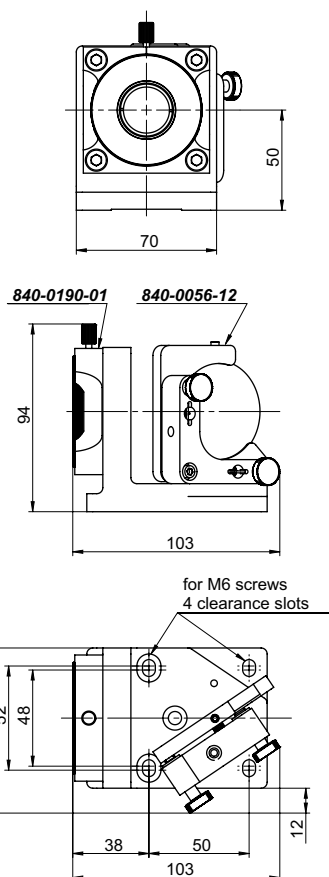
The intensity ratio of those two separated and different polarized beams may be continuously varied without alteration of other beam parameters by rotating the waveplate. The intensity of either exit beam, or their intensity ratio, can be controlled over a wide dynamic range. P-polarization could be selected for maximum transmission, or high-purity s-polarization could be reflected when maximum attenuation of the transmitted beam takes place.

The holder 840-0056-12 allows to adjust Angle Of Incidence of the Thin Film Brewster type polarizers by $\pm 4.5^\circ$ and to get the maximum extinction contrast. The mounts are on rods, rod holders and Movable Base 820-0090. The optical axis height from the table top can be adjusted in the range 78-88mm. Other height can be offered as custom changing the standard rods and rod holders into higher.



Specifications

Clear Aperture diameter	22 mm
Damage threshold	>10 mJ/cm ² , 50 fs pulse at 800 nm, typical
for high power applications	>100 mJ/cm ² , 50 fs pulse at 800 nm, typical
Polarization Contrast	>1:200
Transmitted beam shift	~ 1 mm
Weight	0.45 kg



For High Power Laser Applications

Wavelength, nm	Catalogue number	Price, EUR
266	990-0072-266	980
343	990-0072-343	925
400	990-0072-400	895
515	990-0072-515	895
800	990-0072-800	910
780-820	990-0072-800B	1010
1030	990-0072-1030	920
1010-1050	990-0072-1030B	1010

A quartz Zero Order (optically contacted) Half Waveplate Ø25.4 mm is housed in rotating holder 840-0190-01.

Wavelength, nm	Catalogue number	Price, EUR
266	990-0072-266H	1115
343	990-0072-343H	1045
400	990-0072-400H	1030
515	990-0072-515H	1030
800	990-0072-800H	1045
780-820	990-0072-800HB	1145
1030	990-0072-1030H	1055
1010-1050	990-0072-1030HB	1145

A quartz Zero Order Air-Spaced Half Waveplate clear aperture Ø22mm is housed in rotating holder 840-0190-01.

Related Products

Neutral Density Filters

See page 1.15

Femtoline Zero Order Optically Contacted / Air-Spaced Plates

See page 4.25

Femtoline Thin Film Laser Polarizers

See page 4.22

Motorized Variable Attenuator for Linearly Polarized Laser Beam 990-0072M

Find more at EksmaOptics.com