

Positioners & Holders

RING HOLDERS FOR NONLINEAR CRYSTALS – 830-0001



830-0001-10



830-0001-06

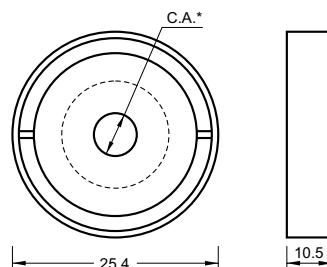
Features

- Black anodized aluminium body
- Teflon or white anodized aluminium adapter for particular crystal size
- Easy assembling and disassembling

Ring mounts made from black anodized aluminium and Teflon or white anodized aluminium adapter are available for safe and convenient handling of nonlinear crystals. The crystals are glued into white anodized aluminium adapter (830-0001-06). No glue is used for fixation of the crystal into open ring holder with teflon adapter. The standard sizes are Ø25.4 or Ø30 mm and thickness – 6, 10.5, 13.5 or 17.5 mm depending on crystal size.

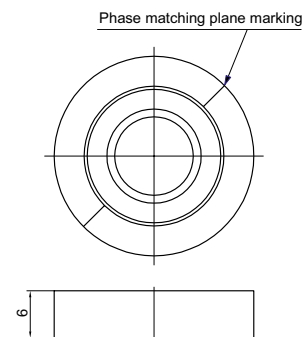
Please indicate the exact crystal size when ordering.

Diameter, mm	Thickness, mm	Max. acceptable crystal size, mm	Catalogue number	Price, EUR
25.4	6	12×12×0.5	830-0001-06	50
25.4	10.5	12×12×3	830-0001-10	50
25.4	13.5	12×12×6	830-0001-13	50
25.4	17.5	12×12×15	830-0001-17	90
30	10.5	15×15×3	830-0002-10	50
30	13.5	15×15×6	830-0002-13	50
30	17.5	15×15×15	830-0002-17	90



* C.A. - depends on crystal aperture

830-0001-10



830-0001-06

Housing accessories

Positioning Mount 840-0199 for Nonlinear Crystal Housing

See page 2.27

