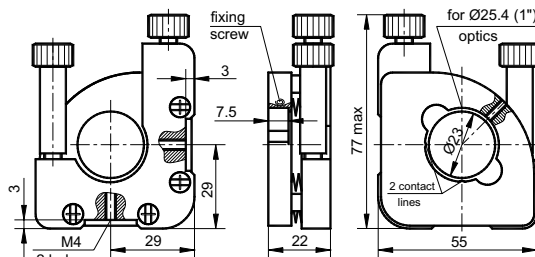


KINEMATIC POSITIONING MOUNT – 840-0193

FEATURES

- › For Ø25.4 mm (1 inch) ring holders
- › Kinematic design
- › Tilt/tip range $\pm 2^\circ$
- › Sensitivity 3 arcsec
- › Both tilt and tip controlled from aside the optical path
- › Fine adjustment screws with 0.25 mm pitch
- › Hardened seats under adjustment screws



Catalogue number	Weight, kg	Price, EUR
840-0193	0.12	87

POSITIONING MOUNT FOR NONLINEAR CRYSTAL HOUSING – 840-0199

FEATURES

- › Accepts Ø25.4 mm and up to 10.5 mm thickness ring housings
- › Kinematic design
- › Wedge and ball drive mechanism
- › Tilt/tip range: $\pm 2^\circ$
- › Sensitivity: 3 arcsec
- › Fine adjustment screws with 0.25 mm pitch
- › Hardened seats under adjustment screws
- › Rotation range: 360°
- › Scale gradation: 2°
- › Compact and robust design
- › Material: black anodized aluminum

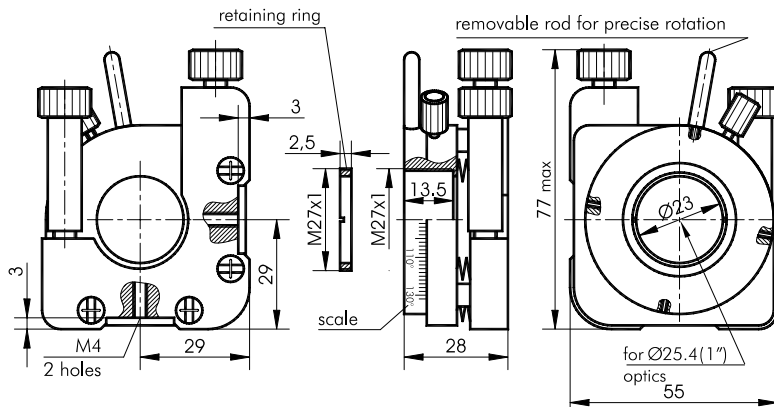
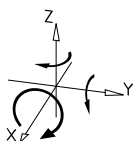
This kinematic mount accepts crystal housings of Ø25.4 mm and thickness up to 10.5 mm. Large knobs on the adjusting screws relieve the strain on operator fingers during adjustment. Both screws protrude from the top allowing convenient adjustment outside the laser beam path and providing easy access for adjustments in densely packed optical set-ups.

An extra M4 tapped hole on the side of the base allows you to operate the mount as a side-drive adjustment control mount. The mount is made of black anodized aluminium to help minimize reflections.

A retaining ring M27×1, two Teflon rings and a tightening key to fix the crystal ring housing is included.



840-0199 Positioning Mount with 830-0001 Ring Holder



Catalogue number	Weight, kg	Price, EUR
840-0199	0.12	165