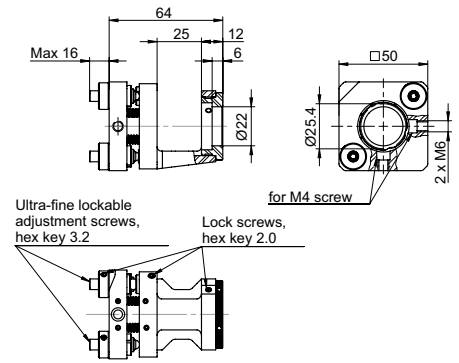


PM1

MOUNTING STAGE FOR POCKELS CELLS OF Ø25.4 mm



PM1 series mounting stage is designed for holding and positioning of Ø25.4 mm Pockels cells. The mount has ultra-fine thread lockable adjustment screws.

SPECIFICATIONS

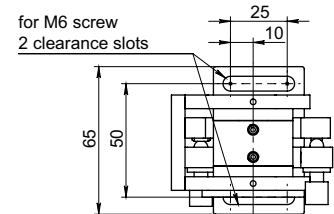
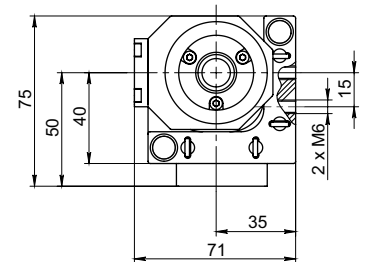
MODEL	PM1
Adjusting angles, tilt and tip	±3.5°
Rotation along Z-axis	180°
Adjustment screw thread	M6x0.25
Screw sensitivity	0.5 µm

HPR

MOUNTING STAGE FOR POCKELS CELLS OF Ø35 mm



HPR series mounting stage is designed for holding and positioning of Ø35 mm Pockels cells. HPR stages with fine or ultra-fine screws are available upon request.



SPECIFICATIONS

MODEL	HPR-35
Suitable for pockels cells housing diameters, mm	Ø35
Adjusting angle along X and Y axis, deg	9
Rotating angle along Z-axis, deg	20
Beam high above breadboard, mm	50
Adjustment screw thread	M6x0.5
Screw sensitivity	1.5 µm

POCKELS CELLS

POCKELS CELLS DRIVERS

HV POWER SUPPLIES

Q-SWITCHING KITS

ULTRAFAST PULSE PICKING SYSTEMS

LASER DIODE DRIVERS

LASER SYNCHRONIZATION MODULES

CRYSTAL OVENS