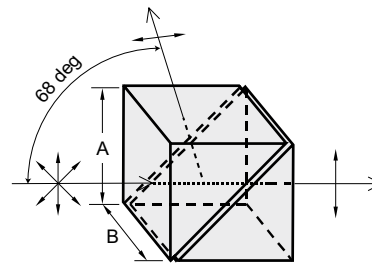


GLAN LASER POLARIZING PRISMS

Features

- Transmit a linearly polarized extraordinary beam without deviation from its initial direction
- Reflect an ordinary ray out of the prism into either the black glass or the escape port
- Air-spaced prisms
- Available with two, one or no escape ports in mounts for extra power capacity

Glan laser polarizers are manufactured from the finest optical grade natural calcite or α -BBO. They are useful in applications requiring a high degree of polarization purity, high total transmission and low, medium or high power requirements.



We also provide Glan Thompson, Beamsplitting Thompson prisms, Beam Displacers, Laser Polarizing Beamsplitters, etc. Please contact us for more information.

NATURAL CALCITE GLAN LASER PRISMS

Specifications

Material	Natural calcite
Surface quality	40 – 20 scratch & dig (MIL-PRF-13830B)
Wavefront distortion	$\lambda/4$ at 633 nm
Beam deviation	<3 arcmin
Wavelength range	350 – 2100 nm
Extinction ratio	1 : 100 000
Laser damage threshold	>5 J/cm ² , 10 ns pulses, 1064 nm

Standard dimensions A × B, mm	Unmounted		Mounted	
	Catalogue number	Price, EUR	Catalogue number	Price, EUR
10 × 10	440-2010	570	440-2010-M2Ps	630
12 × 12	440-2012	690	440-2012-M2Ps	750
14 × 14	440-2014	948	440-2014-M2Ps	1008
20 × 20	440-2020	2280	440-2020-M2P	2340

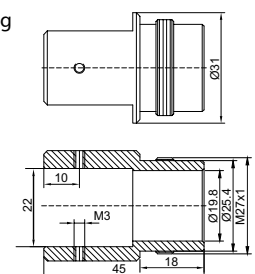
Mounting Suggestion

Adjustable Polarizer Holder of Side Driver 840-0195



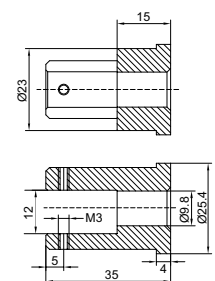
Mounting

Example of **M2P** mount for Cube Polarizing Beamsplitters of 20×20 mm standard dimensions.



M2P mount can be used with 840-0180, 840-0195, 840-0020.

Example of **M2Ps** mount for Cube Polarizing Beamsplitters of 10×10 mm dimensions.



M2Ps mount can be used with 840-0180, 840-0020.

Drawings of M2P and M2Ps for prisms of other dimensions are available on request.

α-BBO GLAN LASER PRISMS

Specifications

Material	α-BBO
Transmittance wavelength range	200–3500 nm
Extinction ratio	1 : 100 000
Surface quality	20 – 10 scratch & dig (MIL-PRF-13830B)
Wavefront distortion	λ/4 at 633 nm
Beam deviation	<3 arcmin
Angular field	>6 deg
Coating	Single layer MgF ₂
Mount	Black anodized aluminium

Operating wavelength range, nm	Clear aperture CA, mm	Outer mount OD, mm	Mounted, without adapter		Mounted, with adapter	
			Catalogue number	Price, EUR	Catalogue number	Price, EUR
200–270	Ø8	Ø25.4	441-2108	612	441-2108-M2Pd	672
200–270	Ø10	Ø25.4	441-2110	714	441-2110-M2Pd	774
200–270	Ø15	Ø30	441-2115	1014	441-2115-M2Pd	1074
260–300	Ø8	Ø25.4	441-2208	588	441-2208-M2Pd	648
260–300	Ø10	Ø25.4	441-2210	696	441-2210-M2Pd	756
260–300	Ø15	Ø30	441-2215	996	441-2215-M2Pd	1056
300–400	Ø8	Ø25.4	441-2308	588	441-2308-M2Pd	648
300–400	Ø10	Ø25.4	441-2310	696	441-2310-M2Pd	756
300–400	Ø15	Ø30	441-2315	996	441-2315-M2Pd	1056

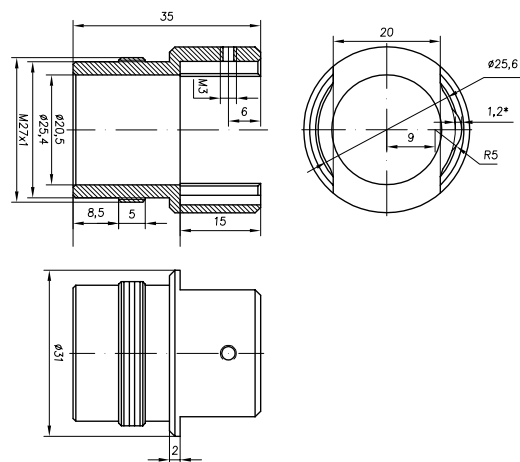
Mounting Suggestion



Polarizer Holders **840-0180-A1** for prisms with outer diameter of 25.4 mm and **840-0180-A2** for prisms with outer diameter of 30 mm.

Mounting

Example of **M2Pd** mount with adapter for α-BBO Glan Laser Prisms with outer diameter mount of 25.4 mm.



Housing accessories

Polarizer Holders **840-0180**
Find more at EksmaOptics.com

