

## FILTERS HOLDER WITH 90° FLIP – 990-0400

### Features

- Allows stacking of 5 filters of Ø25.4 mm (1"), or 3 filters of Ø50.8 (2")
- Fast flipping in and out of beam path
- Available to be used in 90° position
- Has one M4, two M6 and two holes Ø6.4mm for mounting on posts or table bases
- Large aperture allows to attenuate large diameter laser beam
- Black Anodized Aluminium and Brass screws



990-0415



990-0423

The holder of 1 inch filters 990-0415 allows the fixation of up to 5 filters into 1 inch optics ring holders. The thickness of optical filters (or any other optical elements) to be held is from 0.5 mm to 8.0 mm. Filters can be easily replaced in ring holders. This filter holder allows fast filter removal from beam path flipping it at 90° position. Any position of filters can be fixed with fixing screw. The firm 0° position can be fixed with the second brass screw (included).

The holder of 2 inch filters 990-0423 allows the fixation of up to 3 filters into 2 inch optics ring holders. The thickness of optical filters (or any other optical elements) to be held is from 0.5 mm to 14.0 mm.

The holder 990-0415ND is the same holder 990-0415 but with Neutral Density filters that operates as step energy attenuator and allows adjusting transmission from 100% (all 5 filters are at 90° position) till 0.015% (all 5 filters are at 0° position) at visible region. If you need other adjustment you can choose any other Neutral Density filter Ø25.4 mm.

Using the holder 990-0415 with various color glass or dielectric filters various transmitted band pass regions can be achieved. The Filters Holder with 90° Flip is made of black anodized aluminium and brass screws.

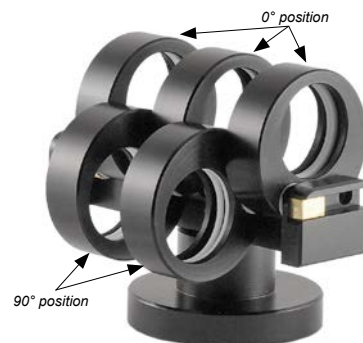
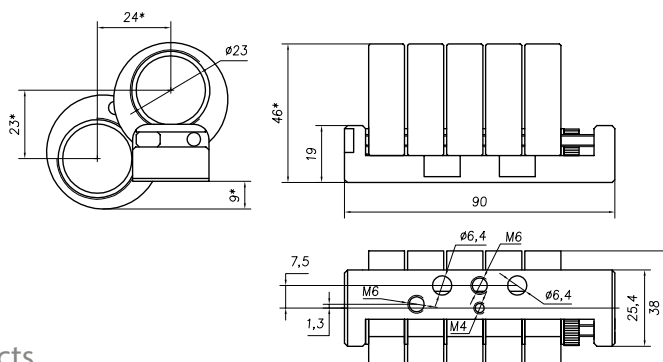
Acceptable filters number	Suitable filters diameter, mm	Clear aperture diameter, mm	Weight, kg	Catalogue number	Price, EUR
5	25.4	23	0.16	990-0415	170
5	25.4	23	0.19	990-0415ND	265
3	50.8	48	0.22	990-0423	160



990-0415 at 0° position  
(Note: Solid base height extender 820-0210 should be ordered separately)



990-0423 at 0° position  
(Note: Solid base height extender should be ordered separately)



990-0415 at 0° or 90° position  
(Note: Solid base height extender 820-0210 should be ordered separately)

### Related Products

Neutral Density Filters Ø25.4 mm

See page 1.14