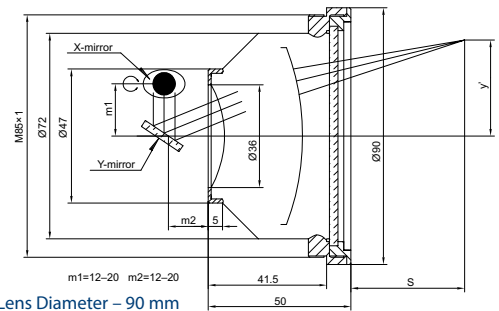


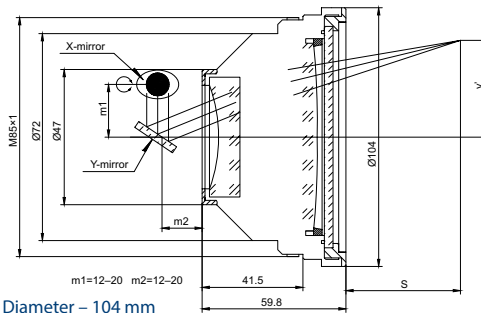
F-THETA LENS



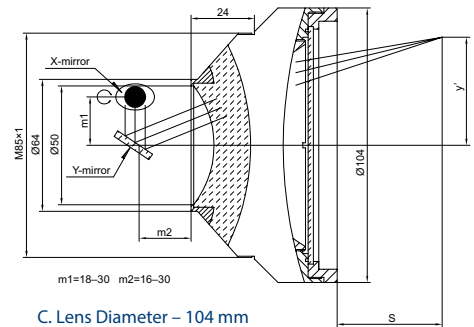
F-Theta lenses are designed to provide a flat field on the image plane for scanning and engraving applications where a high power laser and a set of rotating mirrors are used to scan across a given field.



A. Lens Diameter – 90 mm



B. Lens Diameter – 104 mm



C. Lens Diameter – 104 mm

BEST MIRROR PLACES m_1/m_2 – 16/16 mm, screw size – M85×1

Wavelength – 1064 nm, Lens Diameter – 90 mm

Focus length, mm	Working distance S, mm	Max. scan area, mm ²	Max. scan angle, θ max	Input beam diameter, mm	Spot size, μ m	Drawing	Catalogue number	Price, EUR
100	114	70×70	±28°	12	16	A	150-1001	420
160	232	140×140	±28°	12	26	A	150-1601	420
210	287	145×145	±28°	12	34	A	150-2101	420
254	284	175×175	±28°	12	31	A	150-2541	420
290	355	200×200	±28°	12	31	A	150-2901	420
330	465	220×220	±28°	12	40	A	150-3301	420
420	467	300×300	±28°	12	50	A	150-4201	420

Wavelength – 532 nm, Lens Diameter – 90 mm

Focus length, mm	Working distance S, mm	Max. scan area, mm ²	Max. scan angle, θ max	Input beam diameter, mm	Spot size, μ m	Drawing	Catalogue number	Price, EUR
100	114	70×70	±28°	12	16	A	150-1002	460
160	180	110×110	±28°	12	16	A	150-1602	460

Wavelength – 355 nm

Focus length, mm	Working distance S, mm	Max. scan area, mm ²	Max. scan angle, θ max	Input beam diameter, mm	Spot size, μ m	Drawing	Catalogue number	Price, EUR
100	136	70×70	±25°	7	10	B	150-1003D1	930
160	186	110×110	±25°	7	15	B	150-1603	930

BEST MIRROR PLACES m_1/m_2 – 24/24 mm, screw size – M85×1

Wavelength – 1064 nm, Lens Diameter – 104 mm

Focus length, mm	Working distance S, mm	Max. scan area, mm ²	Max. scan angle, θ max	Input beam diameter, mm	Spot size, μ m	Drawing	Catalogue number	Price, EUR
163	185	110×110	±28°	20	17	C	151-1631	520
210	255	150×150	±28°	20	24	C	151-2101	520
254	285	175×175	±28°	20	31	C	151-2541	520
420	467	300×300	±28°	20	55	C	151-4201	520
650	697	400×400	±25°	20	85	C	151-6501	520