

COMPACT VARIABLE LASER POWER ATTENUATORS – 990-0077, 990-0078

Features

- Attenuation range for transmitted beam:
 - Typical: 0.1% – 98%
 - For 257 nm and 266 nm: 1% – 96%
- Attenuation range for reflected beam
 - Typical: 2% – 99.9%
 - For 257 nm and 266 nm: 4% – 99%
- Extinction ratio: >1:1000
- Clear aperture:
 - 990-0077 – Ø17 mm
 - 990-0078 – Ø22 mm



990-0077 and 990-0078 Laser Power Attenuators

This manual variable attenuator series is designed to continuously attenuate linearly polarized laser beams. They feature precision opto-mechanics and high-LIDT optical components incorporated in a compact housing to ensure stable and reliable performance.

Attenuators are based on Brewster-type thin film polarizer fixed at 56° and a quartz half waveplate. The Polarizer's angle of incidence can be manually adjusted to get the best contrast or to manipulate the direction of the reflected s-polarized beam. The waveplate is housed in a 360° continuous rotation mount, which can be manually rotated to control the output power of the transmitted and reflected beams.

The intensity of either exit beam or their intensity ratio can be controlled over a wide dynamic range without alteration of other beam parameters. Pure p-polarization could be selected for maximum transmission, or pure s-polarization for maximum reflection.

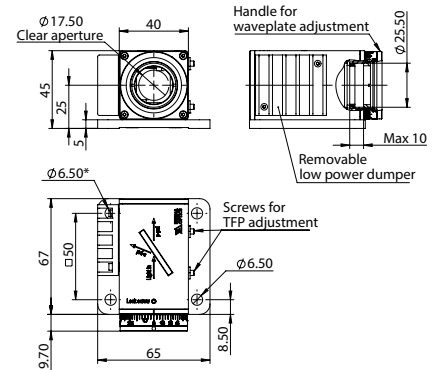
The s-polarization exit port can be blocked with a removable low-power dumper which absorbs laser power up to 5 W. External beam dumps are recommended for high-power applications.

990-0077 COMPACT VARIABLE ATTENUATORS WITH A CLEAR APERTURE OF Ø17 mm

Specifications

Clear aperture diameter	17 mm
Polarization contrast	>1:1000

Wavelength, nm	LIDT	Attenuation range (Tp)	Catalogue number	Price, EUR
257	1 J/cm ² @ 257 nm, 10 Hz, 10 ns	1% – 96%	990-0077-257	1090
266	1 J/cm ² @ 257 nm, 10 Hz, 10 ns	1% – 96%	990-0077-266	1090
343	3 J/cm ² @ 343 nm, 10 Hz, 10 ns	0.1% – 98%	990-0077-343	1015
355	3 J/cm ² @ 355 nm, 10 Hz, 10 ns	0.1% – 98%	990-0077-355	1015
515	5 J/cm ² @ 515 nm, 10 Hz, 10 ns	0.1% – 98%	990-0077-515	925
532	5 J/cm ² @ 532 nm, 10 Hz, 10 ns	0.1% – 98%	990-0077-532	925
1030	10 J/cm ² @ 1030 nm, 10 Hz, 10 ns	0.1% – 98%	990-0077-1030	975
1064	10 J/cm ² @ 1064 nm, 10 Hz, 10 ns	0.1% – 98%	990-0077-1064	975



990-0078 COMPACT VARIABLE ATTENUATORS WITH A CLEAR APERTURE OF Ø22 mm

Specifications

Clear aperture diameter	22 mm
Polarization contrast	>1:1000

Wavelength, nm	LIDT	Attenuation range (Tp)	Catalogue number	Price, EUR
257	1 J/cm ² @ 257 nm, 10 Hz, 10 ns	1% – 96%	990-0078-257	1790
266	1 J/cm ² @ 257 nm, 10 Hz, 10 ns	1% – 96%	990-0078-266	1790
343	3 J/cm ² @ 343 nm, 10 Hz, 10 ns	0.1% – 98%	990-0078-343	1650
355	3 J/cm ² @ 355 nm, 10 Hz, 10 ns	0.1% – 98%	990-0078-355	1650
515	5 J/cm ² @ 515 nm, 10 Hz, 10 ns	0.1% – 98%	990-0078-515	1510
532	5 J/cm ² @ 532 nm, 10 Hz, 10 ns	0.1% – 98%	990-0078-532	1510
1030	10 J/cm ² @ 1030 nm, 10 Hz, 10 ns	0.1% – 98%	990-0078-1030	1625
1064	10 J/cm ² @ 1064 nm, 10 Hz, 10 ns	0.1% – 98%	990-0078-1064	1625

