

**CH8**

**OVEN FOR NONLINEAR CRYSTALS**



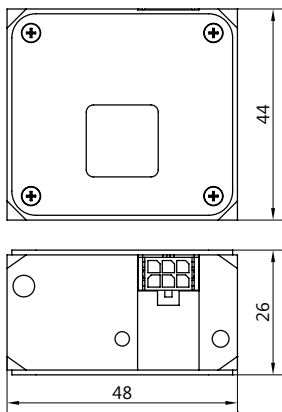
CH8 is compact oven with built-in thermocontroller for nonlinear crystals to keep them at stabilized temperature in range 30...80 °C. It is ideal for larger aperture crystals like KD\*P. The crystals with up to 15 x 15 mm dimensions can be mounted. Each oven is made exactly for specific

crystal aperture size, so it cannot be used for different size crystals. CH8 crystal oven can be used with temperature preset at the factory or customer has the possibility to adjust temperature in the range 30 – 80 °C via CAN interface.

**SPECIFICATIONS**

MODEL	CH8-20	CH8-30	CH8-50
Temperature range	30 – 80 °C		
Maximum crystals dimensions	15x15x20 mm	15x15x30 mm	15x15x50 mm
Temperature stability	better than ± 0.05 °C		
Power consumption	<6 W	<6 W	<9 W
Control interface	CAN		
Crystal center position above pad	16 mm		
Dimensions, WxHxD	48x44x26 mm	48x44x36 mm	48x44x56 mm

*Specifications are subject to changes without advance notice.*



CH8 dimensions

**ORDERING INFORMATION**

CODE *	DESCRIPTION, FEATURES
<b>OVENS WITH PRESET TEMPERATURE (must be specified before ordering)</b>	
CH8-20-y/y-PS	CH8 oven (crystal length up to 20 mm) with power supply
CH8-30-y/y-PS	CH8 oven (crystal length up to 30 mm) with power supply
CH8-50-y/y-PS	CH8 oven (crystal length up to 50 mm) with power supply
<b>OVENS WITH ADJUSTABLE TEMPERATURE CONTROL (30 – 60 °C)</b>	
CH8-20-y/y-CAN	CH8 oven (crystal length up to 20 mm) with CAN-USB converter and power supply
CH8-30-y/y-CAN	CH8 oven (crystal length up to 30 mm) with CAN-USB converter and power supply
CH8-50-y/y-CAN	CH8 oven (crystal length up to 50 mm) with CAN-USB converter and power supply
<b>MOUNTING ACCESSORIES</b>	
MS-1	Two axis tilt adjustment 5 degrees range
MS-2	Two axis tilt stage, adjustment in 5 degree range, fits two CH8 ovens

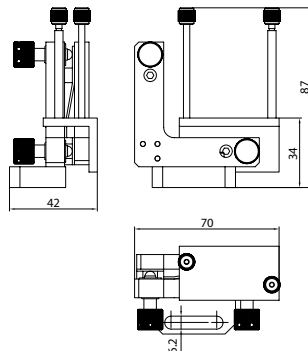
\*y/y – indicates crystal size, sizes 3x3, 4x4, ..., 15x15 mm are standard.

**RELATED PRODUCTS**

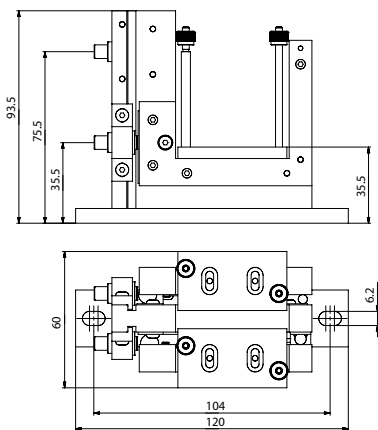
Mounts for fine tuning of CH8 crystal ovens angle. The tuning range is ± 2.5°.



Mount MS-1



Mount MS-1 outline drawing



Mount MS-2 outline drawing

POCHELLS CELLS  
 POCHELLS DRIVERS  
 HV POWER SUPPLIES  
 Q-SWITCHING KITS  
 ULTRAFAST PULSE PICKING SYSTEMS  
 LASER DIODE DRIVERS  
 LASER SYNCHRONIZATION MODULES  
 CRYSTAL OVENS