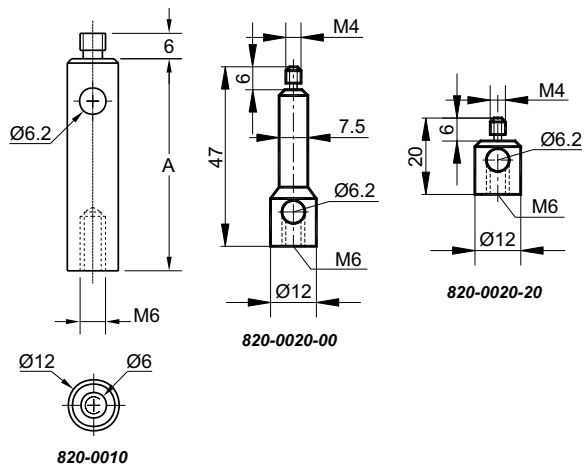


**820-0010 • 820-0020 STANDARD RODS**



These 12 mm diameter stainless steel rods have M6 male threads on the top and M6 tapped holes on the bottom. It allows to mount all accessories directly on the rod,

or to fix the rod directly on movable bases, translators, or to connect the rods. Cross hole at the top of the rod is very convenient for rigid fastening.



The rod 820-0020-00 is especially designed for Precision Mirror Mount (eg. 840-0060) as well as for other mounts with mounting holes M4.

Rod 820-0020 has M4 male thread for the top and M6 thread hole on the bottom.

**Complementary Products**

Code	Page
840-0060	8.67
820-0225	8.42

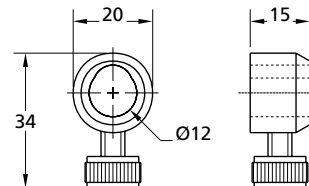
Code	Height, mm (A)	Weight, kg	Price, EUR
820-0010-00	25.4	0.02	4.4
820-0010-01	38.1	0.03	4.8
820-0010-02	50	0.04	5.2
820-0010-03	75	0.06	5.6
820-0010-04	100	0.08	6.0
820-0010-06	150	0.13	6.9
820-0010-08	200	0.18	7.9
820-0020-00	41	0.02	10.0
820-0020-20	14	0.01	6.0

**820-0030 COLLAR**



The 820-0030 collar allows to fix model 820-0010 standard rods at desirable height and to rotate the rod without changing height.

Finish: black anodized aluminium.



Code	Weight, kg	Price, EUR
820-0030	0.01	6.4

**Complementary Products**

Code	Page
820-0010	8.33

OPTICAL TABLES

BRACKETS & RAILS

BASE MOUNTS & ACCESSORIES

OPTICAL MOUNTS

OPTICAL POSITIONERS

BASE POSITIONERS

TRANSLATION & ROTATION STAGES

ADJUSTMENT SCREWS

MOTORIZED POSITIONERS