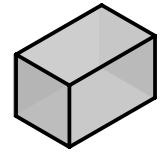
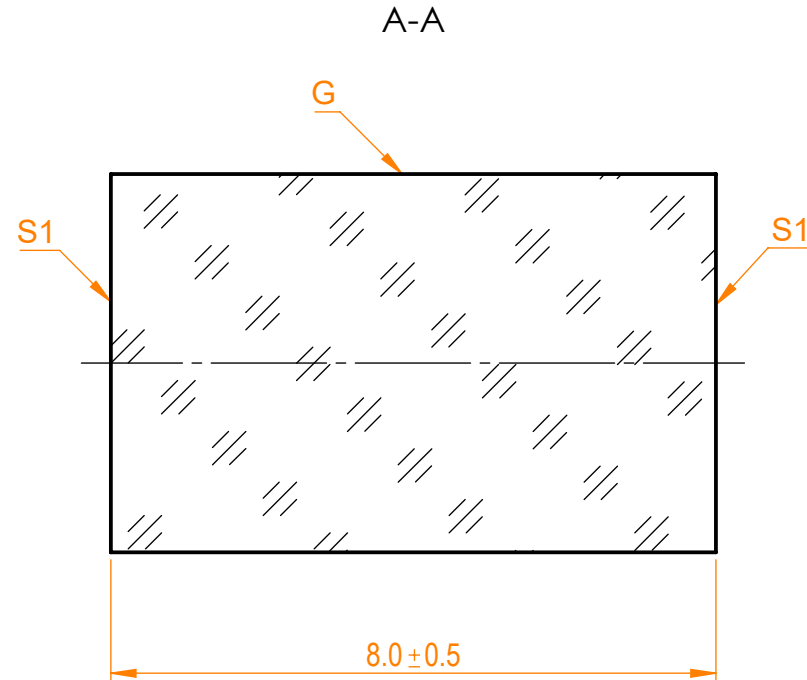
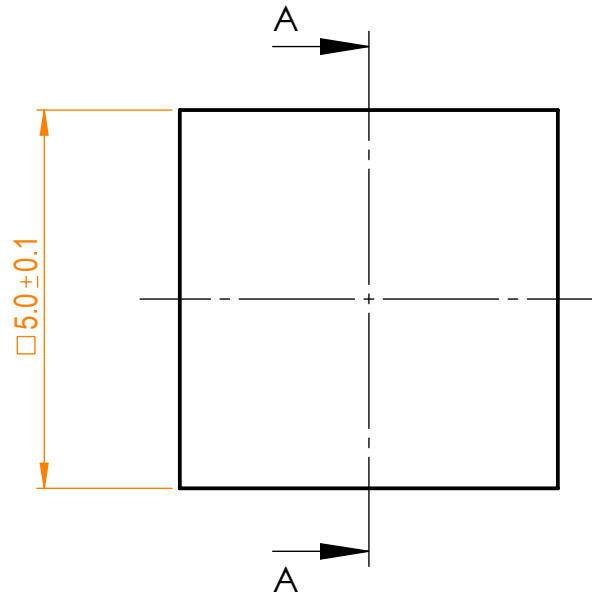


NOTES:

1. Material: Cesium Lithium Borate;
2. G - Fine ground surface;
3. All dimensions are in mm;
4. Protective chamfers: 0.3 mm x 45°;
5. Parallelism: 20 arcsec;
6. Perpendicularity: <5 arcmin;
7. Angle tolerance: <30 arcmin;



Isometric view 2:1



Specifications are subject to change without notice
 Dimensions are for reference only

Parameters

	S1
Shape	Plano
Surface flatness	$\lambda/8$ @633nm
Surface quality	10-5 s/d
Clear aperture	>90%
Coating	AR/AR @532+266nm

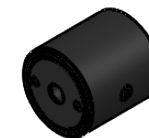


CLBO crystal, H=L=5 mm, T=8 mm,
 $\sigma=61.5^\circ$, $\phi=45^\circ$

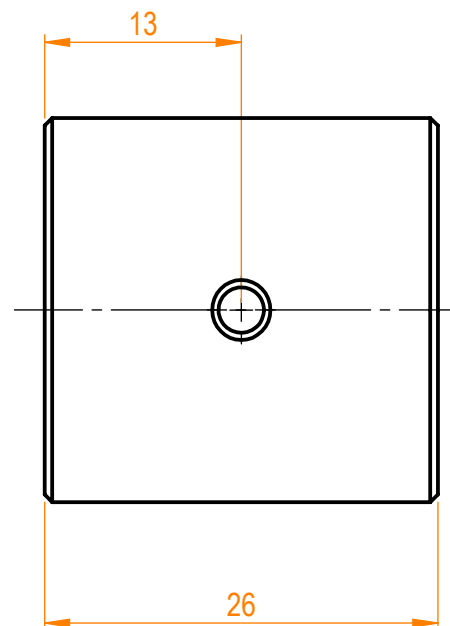
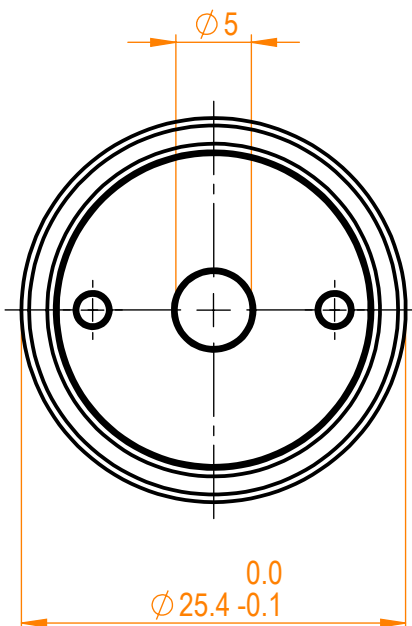
Proprietary		Name	Date	Part number	Rev.	Scale
The information in this drawing is property of EKSMA Optics. Any reproduction in part or as a whole without the written permission of EKSMA Optics is prohibited.	Approved	A.K.	2021.03.04	CLBO-501	A	10:1
	Drawn	V.S.	2021.03.04			

NOTES:


- 1. All dimensions are in mm;
- 2. CLBO crystal mounted into sealed housing;
- 3. Coated UVFS windows: AR/AR @266+532nm;



Isometric view 1:2



Specifications are subject to change without notice
Dimensions are for reference only

 info@eksmaoptics.com www.eksmaoptics.com		CLBO crystal mount					
		Proprietary		Name	Date	Part number	Rev.
The information in this drawing is property of EKSMA Optics. Any reproduction in part or as a whole without the written permission of EKSMA Optics is prohibited.		Approved	A.K.	2021.03.04	CLBO-501S	A	2:1
		Drawn	V.S.	2021.03.04			