

810-0146 ANGLE BRACKET

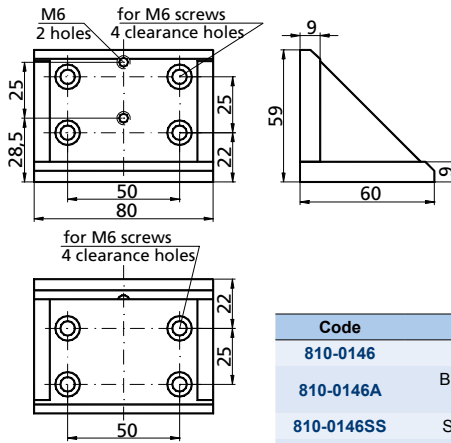


810-0146

- Steel, Stainless Steel or Black Anodized Aluminium
- Designed to be used with:
 - Stable Steel Translation Stages 860-0052
 - Stable Aluminium Translation Stages 860-0053

Complementary Products

Code	Page
860-0052	8.108
860-0053	8.109



810-0146SS

Code	Material	Weight, kg	Price, EUR
810-0146	Steel	0.24	55
810-0146A	Black anodized aluminium	0.16	49
810-0146SS	Stainless steel	0.24	55
810-0146SSV	Stainless steel, for vacuum	0.24	83



860-0053 XYZ



860-0052-SS XYZ

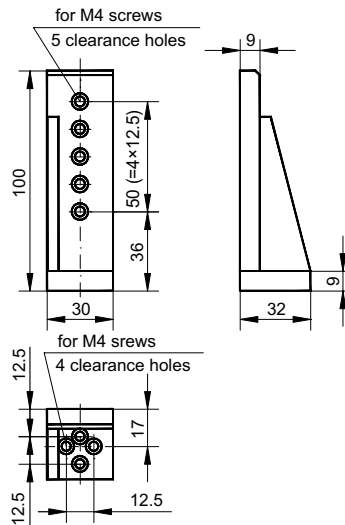


860-0052 XYZ

810-0150 ANGLE BRACKET



- Black anodized aluminium
- Designed to be used with:
 - Narrow Aluminium Translation Stages 860-0060-02, 860-0060-04
 - Narrow Motorized Translation Stages 960-0060-02



960-0060-02 xyz

Complementary Products

Code	Page
860-0060-02	8.113
860-0060-04	8.113
960-0060-02	8.158

Code	Weight, kg	Price, EUR
810-0150	0.11	49