

**810-0120 ANGLE BRACKET**



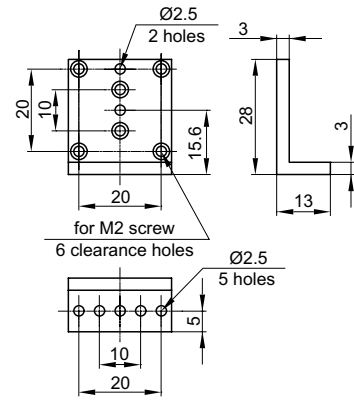
- Black anodized aluminium
- 810-0120 designed to be used with:
  - Micro Translation Stages 860-0100
  - XY Micro Translation Stages of Side Regulation 860-0102
  - Micro Rotation Stages 860-0130

Angle Bracket 810-0120 is a universal attachment unit. It is ideally suited to attach together Micro Translation Stages 860-0100 oriented relative to each other orthogonally on X, Y or Z axis.

Code	Weight, kg	Price, EUR
810-0120	0.02	13

**Complementary Products**

Code	Page
860-0100	8.126
860-0102	8.127
860-0130	8.131



**Usage of 810-0120**

860-0100 XYZ

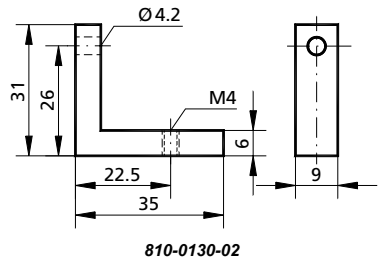
**810-0130 MINI ANGLE BRACKETS**



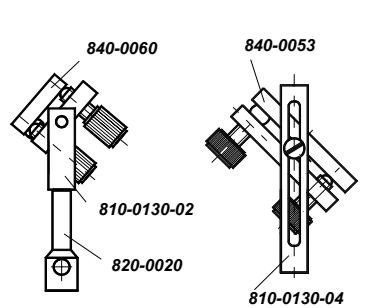
Mini Angle Brackets 810-0130 are used to increase functions of Mini and Micro series Optical positioners.

Model 810-0130-02 enables to establish any angle of a positioner. 810-0130-04 also provides height orientation, as it has two 4.2 mm clearance slots.

Mini Angle Brackets are made of black anodized aluminium.



Code	Weight, kg	Price, EUR
810-0130-02	0.01	7
810-0130-04	0.01	10



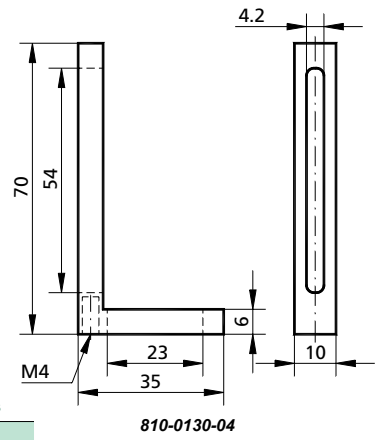
840-0060 810-0130-02 840-0053

810-0130-04

Post holder

**Complementary Products**

Code	Page
820-0020	8.33
840-0020	8.58
840-0060	8.67



For coarse adjustments about horizontal axis compact Mirror mounts can be used with Mini Angle Brackets.

OPTICAL TABLES  
BRACKETS & RAILS  
BASE MOUNTS & ACCESSORIES  
OPTICAL MOUNTS  
OPTICAL POSITIONERS  
BASE POSITIONERS  
TRANSLATION & ROTATION STAGES  
ADJUSTMENT SCREWS  
MOTORIZED POSITIONERS