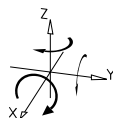


**840-0195**

**ADJUSTABLE POLARIZER HOLDER OF SIDE DRIVE**



- Dimensions most compact among 1" optics mounts
- Both tilt and tip are controlled from aside the optical path
- Original stabilized L-shaped flat spring
- Fine adjustment screws with 0.25 mm pitch
- Hardened inserts under adjusters
- Accepts optics 25.4 mm (1") in diameter
- Accepts optics upto 10.5 mm thick
- Tilt/tip travel range  $\pm 2.5^\circ$
- Roller bearings
- Lockable
- Continuous 360° rotation
- Horizontal and vertical mounting
- Mounting holes M4 on three sides

Adjustable Polarizer Holder 840-0195 is a 1 inch polarizer with an integrated adjustment of tilt and tip about two orthogonal axes within  $\pm 2^\circ$ . The design is the slimmest ever.

The polarizer platform is graduated in  $2^\circ$  on a 360° angular scale. The platform has a removable rod by which you rotate it continuously the whole 360°, without obscuring the aperture. You can use the rod on any of the 4 holes on the perimeter. The holder accepts  $\varnothing 25.4$  mm optics. Optics is stopped by a rest-flange, and is secured by a threaded retaining ring with  $\varnothing 23$ mm clear aperture. A tightening key for the retaining ring is available on request.

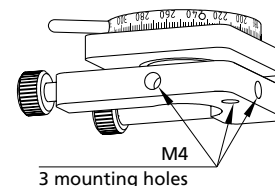
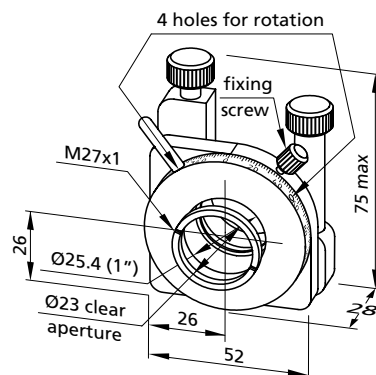
Tilt and tip is done by two stainless steel fine adjustment screws with pitch of 0.25 mm. The screws push rolling balls against hardened seats, ensuring smooth operation and sensitivity of 3 arcsec.

Large knobs ease the strain on your fingers. Both screws protrude from the top side, allowing easy access in dense schemes.

For tilting, the platform is preloaded against the base with L-shaped flat spring of our original design which renders great stability and eliminates induced polarization.

Three M4 tapped holes on the sides of the base and on its back allow horizontal or vertical mounting. The holder easily mounts on posts and bases.

Material: black anodized aluminium. L-shaped spring is made of high quality stainless spring steel.



3 mounting holes allow different mounting orientations, e.g. as a rotation stage.

**SPECIFICATIONS**

Fine screw thread	M6x0.25 mm
Tilt/tip range	$\pm 2.5^\circ$
Sensitivity	3 arcsec
Rotation range	360°
Scale gradation	2°
Optics accepted	
diameter	$\leq \varnothing 25.4$ mm
thickness	$\leq 10.5$ mm
Clear aperture	23 mm
Weight	0.13 kg

Code	Price, EUR
840-0195	155



OPTICAL TABLES

BRACKETS & RAILS

BASE MOUNTS & ACCESSORIES

OPTICAL MOUNTS

OPTICAL POSITIONERS

BASE POSITIONERS

TRANSLATION & ROTATION STAGES

ADJUSTMENT SCREWS

MOTORIZED POSITIONERS