

840-0117 • 840-0118 ADAPTERS FOR POLARIZER AT 56°

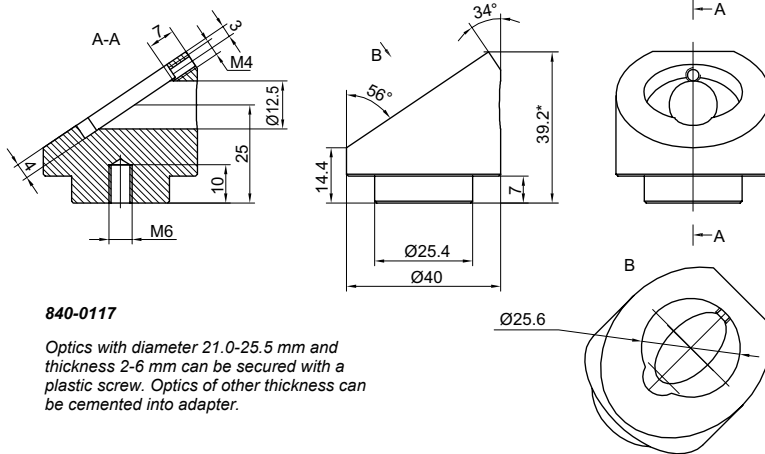
• Suitable for thin film laser polarizers at 56°

Optics is firmly held by a plastic securing screw and it rests against two contact lines formed at the interface. Adapter easily accommodates any optical mount designed for 1" optics or can be attached to any mount using a baseplate.

For fine adjustment adapter can be mounted into kinematic mirror mount 840-0020. Such combination provides ±6° range of orthogonal adjustments with 8 arc-seconds resolution.



840-0117

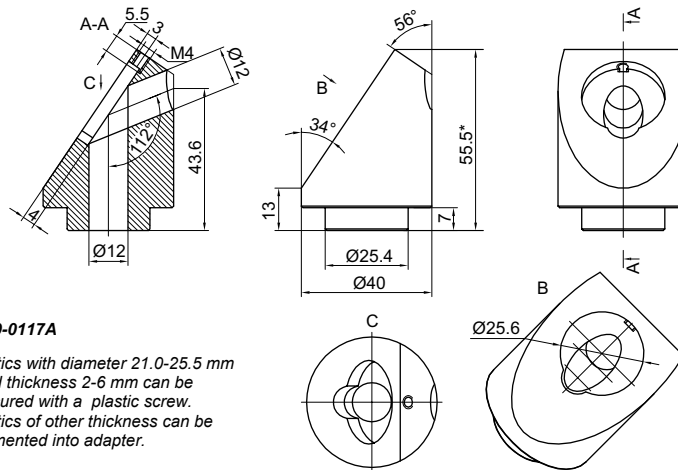


840-0117

Optics with diameter 21.0-25.5 mm and thickness 2-6 mm can be secured with a plastic screw. Optics of other thickness can be cemented into adapter.



840-0117A

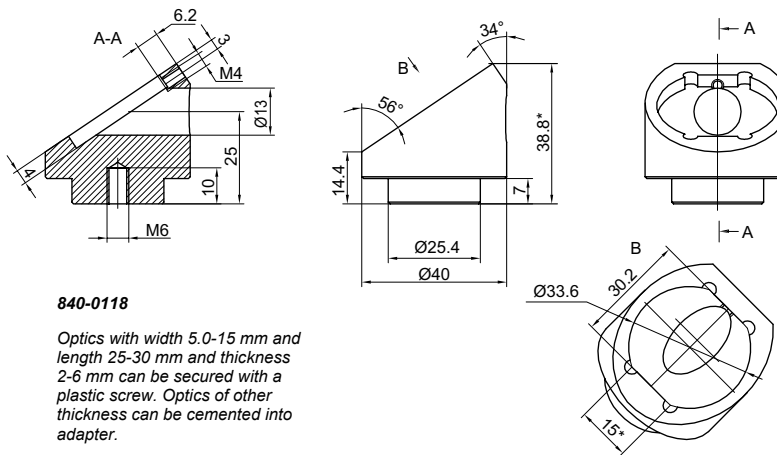


840-0117A

Optics with diameter 21.0-25.5 mm and thickness 2-6 mm can be secured with a plastic screw. Optics of other thickness can be cemented into adapter.



840-0118



840-0118

Optics with width 5.0-15 mm and length 25-30 mm and thickness 2-6 mm can be secured with a plastic screw. Optics of other thickness can be cemented into adapter.

OPTICAL TABLES
BRACKETS & RAILS
BASE MOUNTS & ACCESSORIES
OPTICAL MOUNTS
OPTICAL POSITIONERS
BASE POSITIONERS
TRANSLATION & ROTATION STAGES
ADJUSTMENT SCREWS
MOTORIZED POSITIONERS

OPTICAL TABLES

BRACKETS & RAILS

BASE MOUNTS & ACCESSORIES

OPTICAL MOUNTS

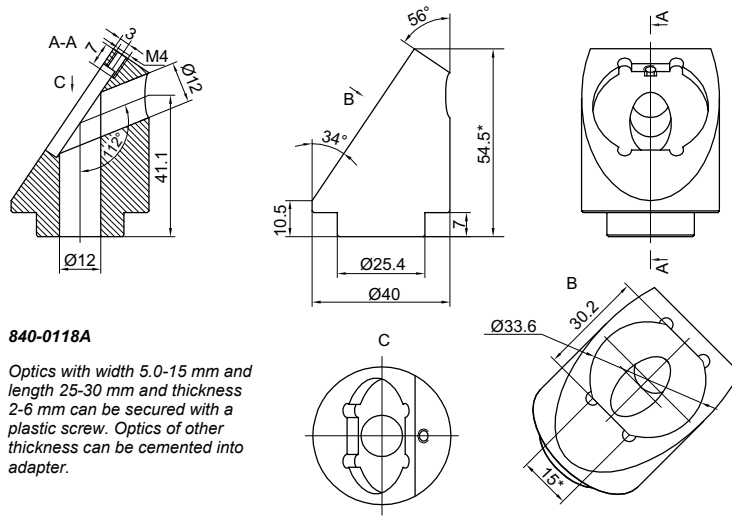
OPTICAL POSITIONERS

BASE POSITIONERS

TRANSLATION & ROTATION STAGES

ADJUSTMENT SCREWS

MOTORIZED POSITIONERS



840-0118A

Optics with width 5.0-15 mm and length 25-30 mm and thickness 2-6 mm can be secured with a plastic screw. Optics of other thickness can be cemented into adapter.



Mounting option:
Adapter for Round Polarizer 840-0117,
Kinematic mirror and beamsplitter mount 840-0020,
Standard rod 820-0010-02,
Collar 820-0030,
Rod translator 820-0040-02,
Movable base 820-0060.



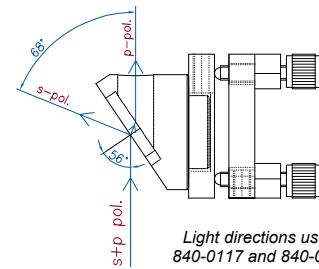
Mounting Option:
Adapter for Round Polarizer 840-0117,
Mirror/Beamsplitter Mount 840-0056,
Rod Holder 820-0050-04,
Standard Rod 820-0010-02,
Movable Base 820-0070.



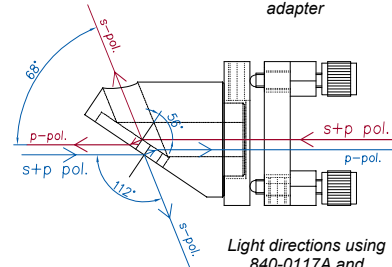
Mounting Option:
Adapter for Round Polarizer 840-0117A,
Kinematic Mirror and Beamsplitter Mount 840-0020,
Solid Base Height Extender 820-0210.

Code	Item	Finish	Weight, kg	Price, EUR
840-0117	adapter for round polarizer at 56°	black anodized aluminium	0.05	27
840-0117A	adapter for round polarizer at 56° with additional aperture	black anodized aluminium	0.09	28
840-0118	adapter for rectangular polarizer at 56°	black anodized aluminium	0.05	28
840-0118A	adapter for rectangular polarizer at 56° with additional aperture	black anodized aluminium	0.09	29

Light directions using one of adapters. View from top



Light directions using 840-0117 and 840-0118 adapter



Light directions using 840-0117A and 840-0118A adapter

Complementary Products

Code	Page
820-0010-02	8.33
820-0030	8.33
820-0040-02	8.34
820-0050	8.34
820-0060	8.35
820-0070	8.35
820-0210	8.42
840-0020	8.58
840-0199	8.93