

840-0115 • 840-0116 ADAPTER FOR MIRROR AND BEAMSPLITTER AT 45°

- Suitable for dichroic mirrors and beamsplitters operating at AOI 45°

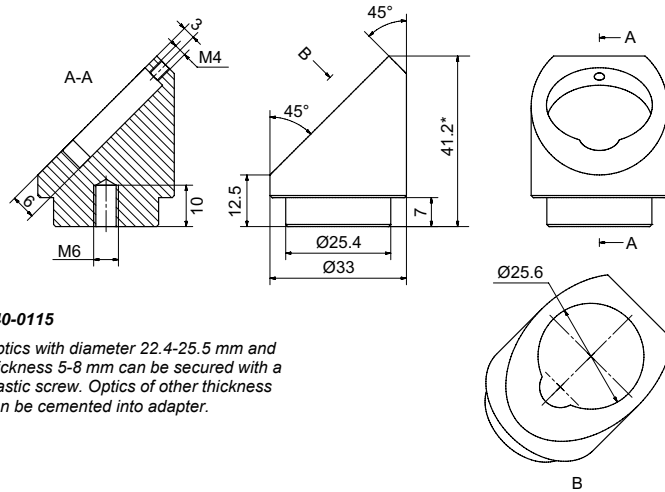
Optics is firmly held by a plastic securing screw and it rests against two contact lines formed at the interface. Adapter easily accommodates any optical mount designed for 1" optics or can be attached to any mount using a baseplate.

For fine adjustment adapter can be mounted into kinematic mirror mount 840-0020. Such combination provides +6° range of orthogonal adjustments with 8 arc-seconds resolution.



840-0115

Suitable for high reflection mirrors operating at AOI 45°



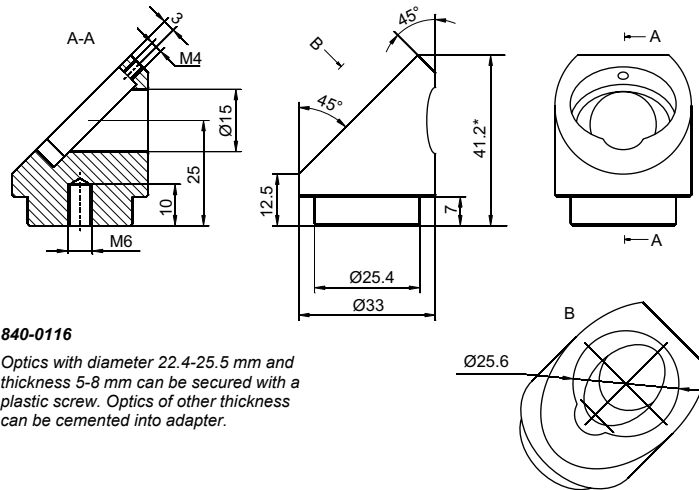
840-0115

Optics with diameter 22.4-25.5 mm and thickness 5-8 mm can be secured with a plastic screw. Optics of other thickness can be cemented into adapter.



840-0116S

Suitable for dichroic mirrors and beamsplitters operating at AOI 45°



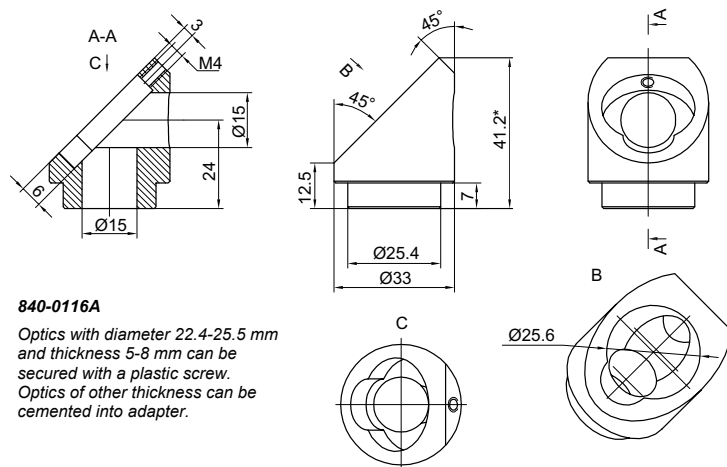
840-0116

Optics with diameter 22.4-25.5 mm and thickness 5-8 mm can be secured with a plastic screw. Optics of other thickness can be cemented into adapter.



840-0116A

Suitable for dichroic mirrors, beamsplitters and beam combiners operating at AOI 45°



840-0116A

Optics with diameter 22.4-25.5 mm and thickness 5-8 mm can be secured with a plastic screw. Optics of other thickness can be cemented into adapter.

OPTICAL TABLES

BRACKETS & RAILS

BASE MOUNTS & ACCESSORIES

OPTICAL MOUNTS

OPTICAL POSITIONERS

BASE POSITIONERS

TRANSLATION & ROTATION STAGES

ADJUSTMENT SCREWS

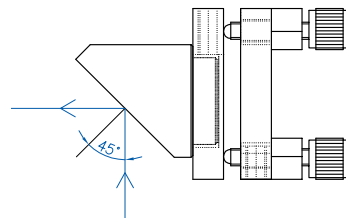
MOTORIZED POSITIONERS

Code	Item	Finish	Weight, kg	Price, EUR
840-0115	adapter for mirror at 45°	black anodized aluminium	0.05	25
840-0116	adapter for beamsplitter at 45°	black anodized aluminium	0.05	25
840-0116A	adapter for beamsplitter at 45° with additional aperture	black anodized aluminium	0.05	26
840-0116S	adapter for beamsplitter at 45°	black oxidized steel	0.13	35

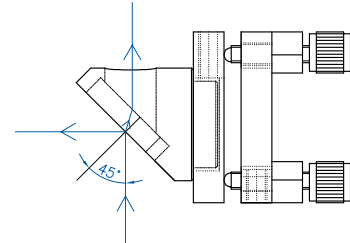
Light directions using one of adapters. View from top



840-0115
with mirror



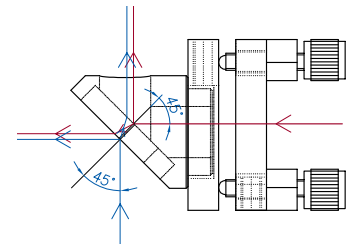
Light directions using 840-0115 adapter



Light directions using 840-0116 adapter

Complementary Products

Code	Page
820-0010	8.33
820-0050	8.34
820-0070	8.35
820-0080	8.35
840-0020	8.58



Light directions using 840-0116A adapter



Mounting option:
Movable base 820-0080, rod holder 820-0050-04,
standard rod 820-0010-02, kinematic mirror and
beamsplitter mount 840-0020 and adapter for
beamsplitter at 45° 840-0116.



Mounting Option:
Adapter for Beamsplitter 840-0116A,
Kinematic Mirror/Beamsplitter Mount 840-0056,
Rod Holder 820-0050-04,
Standard Rod 820-0010-02,
Movable Base 820-0070.