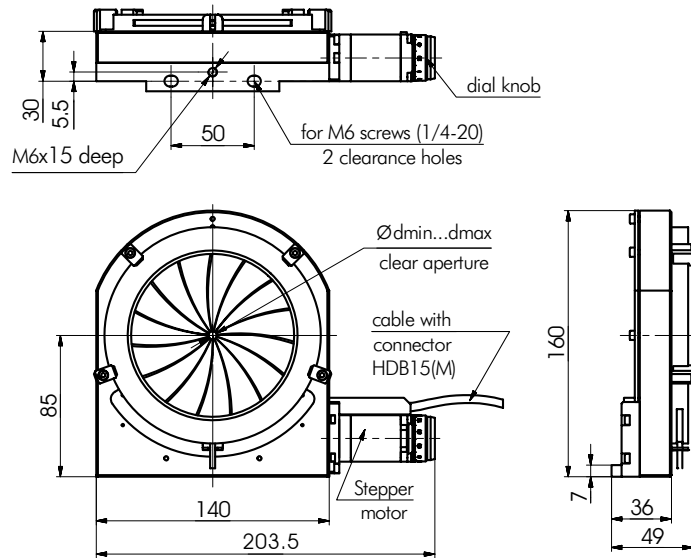


997 Series

**MOTORIZED IRIS DIAPHRAGMS
(Max. Aperture Range 60-98 mm)**


- Smooth and fast operation
- Continuously adjustable light attenuation
- Compact design
- Control via PC through USB or RS232
- Adjustable inserts

997 Series Motorized Iris Diaphragm Mount was developed due to interest in our previously presented motorized iris 993 Series. Motorized Iris Diaphragm is designed for our small medium family. Unfortunately it is impossible to interchange iris diaphragms at home since every diaphragm has its own adapter ring and requires calibration.


SPECIFICATIONS

Closing speed (min to max)	3 sec
Stepper motor/gear	195:1
Limit switch	2, mechanical
Switch polarity	pushed is closed

TEMPERATURE LIMITS

- AR - Leaves with AR coating, for temperatures up to 180 °C
- N - Springsteel, black finished, for temperatures up to 250 °C
- H - Stainless steel, for temperatures up to 400 °C

Catalogue number	Diaphragm used	Max. aperture, mm	Min. aperture, mm	Resolution, steps per mm
997-8260-H	993-8260-H	60	4	696
997-8260-N	993-8260-N	60	4	696
997-1075-H	993-1075-H	75	4	549
997-1075-N	993-1075-N	75	4	549
997-1181-AR	993-1181-AR	81	3	500
997-1290-AR	993-1290-AR	90	3.5	451
997-1398-H	993-1398-H	98	4	415
997-1398-N	993-1398-N	98	4	415

RECOMMENDED CONTROLLERS

980-0040-USB

see page 8.189



980-0131-RS232

see page 8.188

