

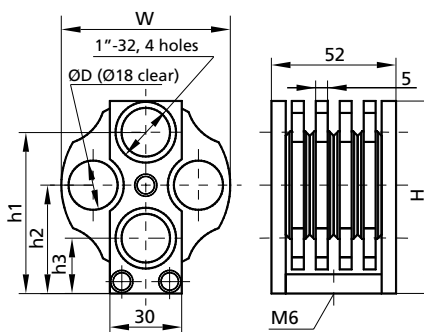
990-0604

VARIABLE WHEEL ATTENUATOR



990-0604-01

- 4 wheels
- 3 filter per wheel (12 filters in total)
- Filter diameter 20 or 25.4 mm
- Maximum deviation 0.09 mm
- Clear aperture Ø18/Ø20 mm
- C-mount threads on both ends
- Connecting adapters available



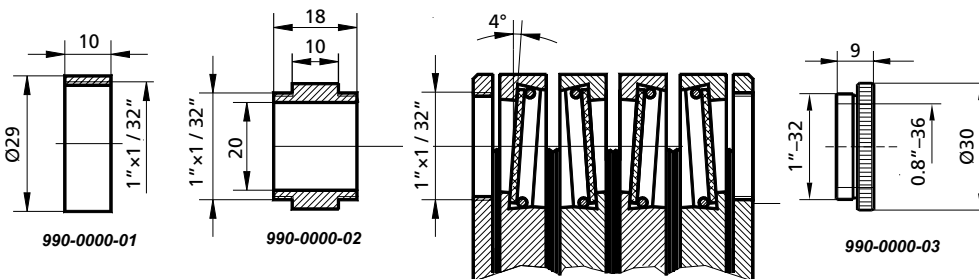
Variable Wheel Attenuator 990-0604 is a basic model with 4 filter-set wheels. Each wheel contains 4 filter slots each for Ø20 mm with clear aperture of Ø18 mm.

Each filter slot is inclined by 4° to avoid retroreflections.

Each wheel has 4 fixed positions. You can use any of these 4 filter positions as an optical axis. The back and front panels do not obscure.

Both panels have 1"–32 threaded holes (C-Mounts). Separately you may order standard connecting adapters 990-0000-01, 990-0000-02 and 990-0000-03. Custom adapters are available.

Mounting M6 hole is provided in the bottom plate. 990-0604-02 model is designed to accept 1" (25.4 mm) filters with maximum thickness of 3 mm. This model comes without filters.



Model	H, mm	W, mm	h1, mm	h2, mm	h3, mm	D, mm	Weight, kg	Price, EUR
990-0604-01	84	70	67	45	23	Ø20	0.35	457
990-0604-02	95	80	75	50	25	Ø25.4	0.40	297

Note:
990-0604-01 is with filters Ø20 mm.
990-0604-02 is without filters. 990-0604-02 is suitable for Neutral Density and Colour Glass filters Ø25.4 mm that should be ordered separately.

RELATED PRODUCTS

Neutral Density Filters Ø25.4 mm

See page 1.13

Colour Glass Filters Ø25.4 mm

See page 1.15