

960-0160

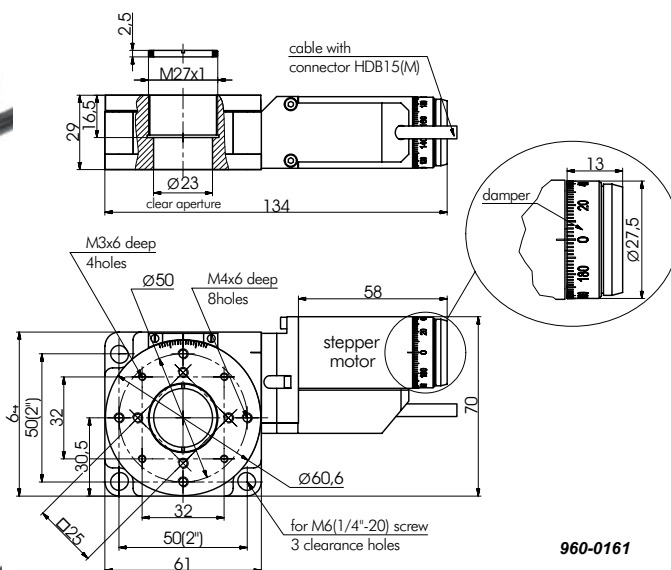
MOTORIZED ROTATION STAGES



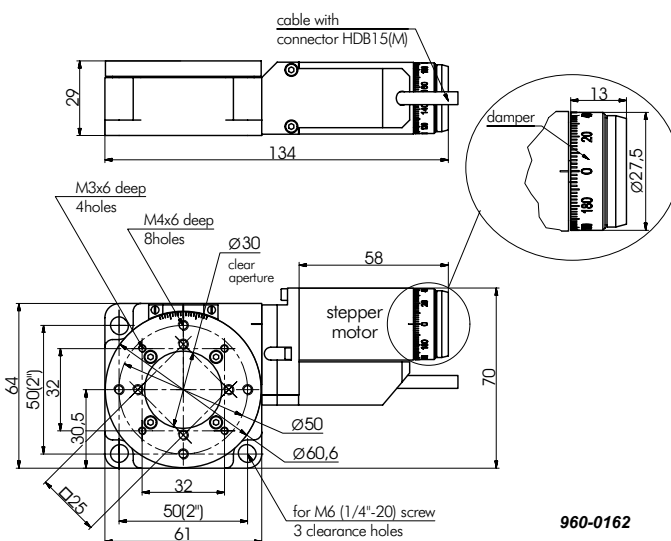
960-0161



960-0162

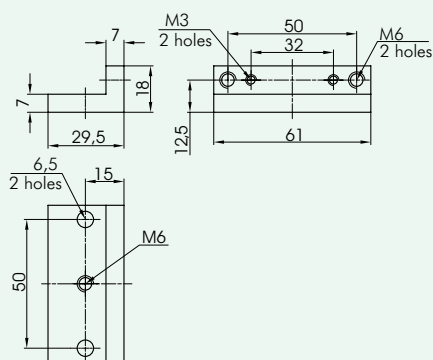


960-0161



960-0162

Angle bracket for vertical mounting



Please visit our website
www.eksmaoptics.com
for Motorized Rotation Stages
960-0160 with imperial standards.

RECOMMENDED CONTROLLERS

- 980-0040-USB see page 8.189
- 980-0030-RS232 see page 8.188

ORDERING INFORMATION

960-0161 has M27×1 for 1" optics mounting (Ø23 mm clear aperture).
960-0162 has a 30 mm aperture.

***Test condition:**

- 980-0030 controllers;
- Power supply – 36 V.

SPECIFICATIONS

Rotation range	360°
Resolution*	
in full step	0.6 arcmin
in 1/8 step	4.5 arcsec
Max. rotation speed*	50 deg/s
Wobble	0.6 arcmin
Eccentricity	10 µm
Load capacity:	
horizontal	6 kg
radial	1.7 kg
torque	0.5 Nm
Cable	integrated, 1.6 m length
Motor connector	HDB15(M)
Stepper motor	28
Weight	0.56 kg
Optocoupler reference home switch	1
Switch polarity	Pushed is open, sensor schematic