

860-0102

XZ MICRO TRANSLATION STAGE OF SIDE REGULATION



860-0102



860-0102-02; 860-0102
with mini micrometer
870-0055-02 installed

- **Ultra Compact configuration**
- **Precise rectilinear movement**
- **4 mm X-Z or X-Y travel range**
- **Precision ball bearings**
- **Fine Screws pitch 0.25 mm (100 threads per Inch)**

SPECIFICATIONS

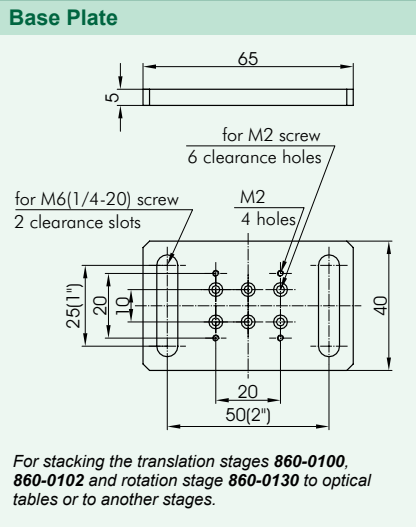
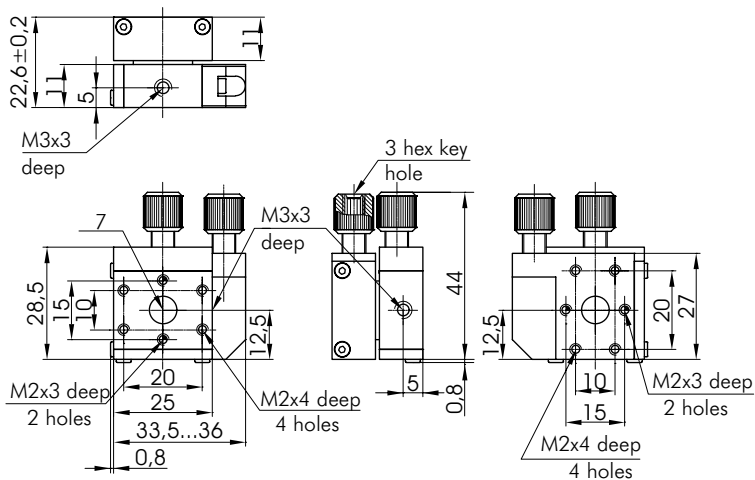
Travel range	4 mm
Sensitivity	1 µm
Tracking accuracy	2 µm
Load capacity:	
horizontal	0.3 kg
vertical	0.1 kg

XZ Micro Translation Stage 860-0102 provides smooth, precise two axes movement. The driving screws are positioned so that the unit is controlled only from one side. That's why 860-0102 is very handy in optical schemes with very dense placement of instruments.

The travel of the stage is 4 mm with 5 µm sensitivity. M2 tapped holes are provided for components mouting. The unit has a Ø7 mm clear aperture. So it is ideally suited for use as a holder of diaphragms.

Angle bracket 810-0120 may be used to combine the stage with other units.

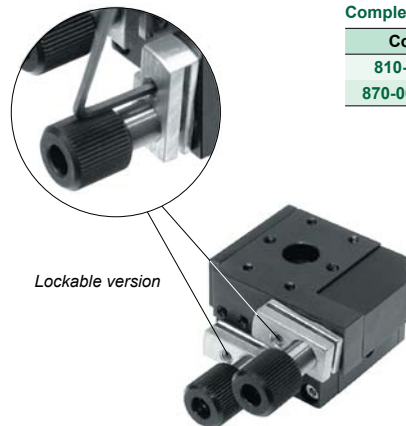
The base and the platform are made of black anodized aluminium.



Code	Description	Weight, kg	Price, EUR
860-0102	standard version	0.06	220
860-0102L	lockable version	0.06	235
860-0102-04	with mini micrometer 870-0055-04 installed	0.08	290

Complementary Products

Code	Page
810-0120	8.26
870-0055-02	8.141



OPTICAL TABLES

BRACKETS & RAILS

BASE MOUNTS & ACCESSORIES

OPTICAL MOUNTS

OPTICAL POSITIONERS

BASE POSITIONERS

TRANSLATION & ROTATION STAGES

ADJUSTMENT SCREWS

MOTORIZED POSITIONERS