

860-0096 ALUMINIUM BALL BEARING STAGE

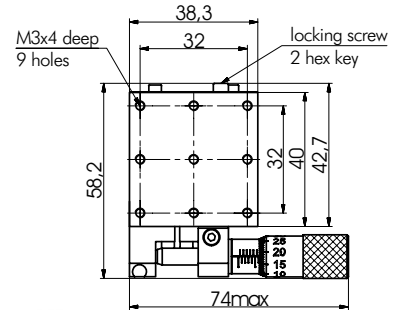
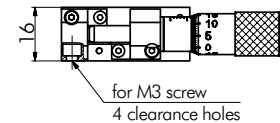
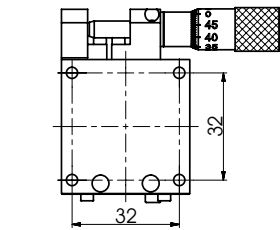


- Compact design
- Precise movement
- 13 mm travel range
- Lockable
- X-Y direct stacking

SPECIFICATIONS

Drive type	Side
Travel range	13 mm
Sensitivity	1 µm
Angular deviation	< 200 µrad
Tracking accuracy	2 µm
Reading accuracy	5 µm (½ division)
Load capacity	
horizontal	10 kg
vertical	3 kg
Lead screw pitch	0.5 mm
Guide	Ball bearings
Material	aluminium
Finish	black anodized
Weight	0.12 kg
Assemblies:	
X-Y	directly
Z	810-0112

Code	Price, EUR
860-0096	220



860-0096 (2 pieces) and 860-0098-02 stacked in XYZ coordinates
860-0096 may be stacked with 860-0098 on top or under

860-0096 (2 pieces) stacked in XY coordinates

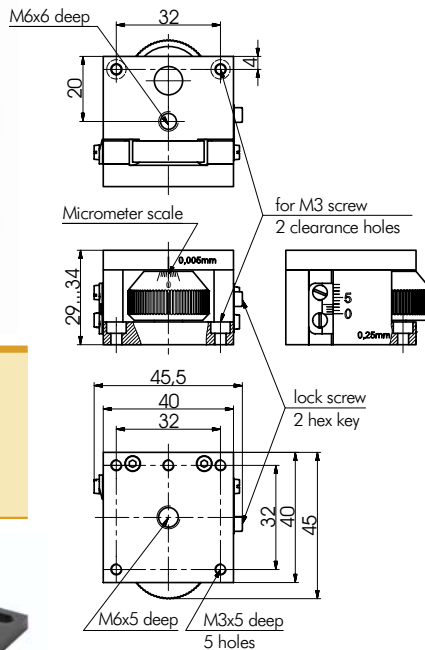
Complementary Products

Code	Page
810-0112	8.24

860-0098 ALUMINIUM BALL BEARING VERTICAL STAGES



- Compact
- Lockable
- High precision
- Travel range 5 mm
- See 860-0099 for 13 mm travel



Aluminium Ball Bearing Vertical Stages 860-0098 is made in most compact design. Vernier scale is engraved on one side of the stage. Travel range 5 mm. Locking mechanism to secure stages in desired position is made on the other side. Two through holes for M3 screws are made in the positioner's platform for mounting on other suitable surfaces, for example on translation stage 860-0096. Can be fastened on mounting posts 820-0020 through M6 hole centered on the bottom surface.

SPECIFICATIONS

Travel range	5 mm
Sensitivity	1 µm
Tracking accuracy	1 µm
Reading accuracy	5 µm
Load capacity	3 kg
Lead screw pitch	0.25 mm
Guide	Ball bearings
Material	aluminium
Finish	black anodized

Code	Travel, mm	H, mm	Weight, kg	Price, EUR
860-0098-02	5	29...34	0.15	169



Base plate 820-0135-03