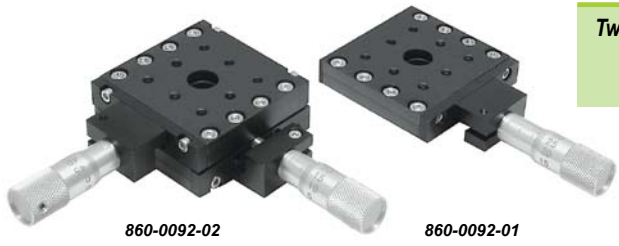


860-0092 ULTRA LOW PROFILE STEEL TRANSLATION STAGES SINGLE AND TWO-AXES



Two-Axes stages only 20 mm height !

Stages of stainless steel are available!

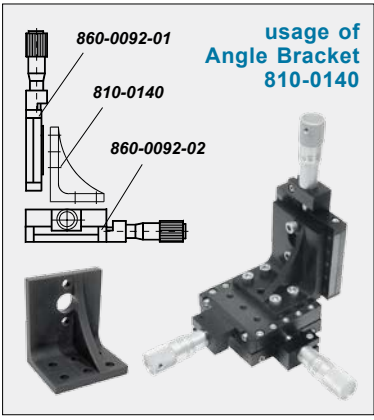
- Compact X-Y configuration
- Exceptionally precise orientation of axes at 90°
- Precision movement
- 10 mm travel range
- Precision ball bearings
- Vacuum version available

SPECIFICATIONS

Travel range	10 mm
Sensitivity	1 µm
Tracking accuracy	2 µm
Reading accuracy	5 µm (½ div.)
Load capacity:	
horizontal	6 kg
vertical	3 kg

Ultra Low Profile Steel Two-Axes 860-0092-02 and Single Axis 860-0092-01 Translation Stages. The height of single axis translation stage is 10.5 mm, and of two axes translation stage – 20 mm. To match the low height of the stages Thin Micrometers 870-0045-04 with small knob diameter (13 mm) are used as driving screws.

It is possible to easily combine 860-0092-02, 860-0092-01 and angle bracket 810-0140 to have 3 axis translation system. Difference between models 860-0092-01 and 860-0092-01U is that the 860-0092-01U has a reversed central hole compared to the 860-0092-01. Although the system looks very light and thin, it is very reliable and precise.



820-0135-04

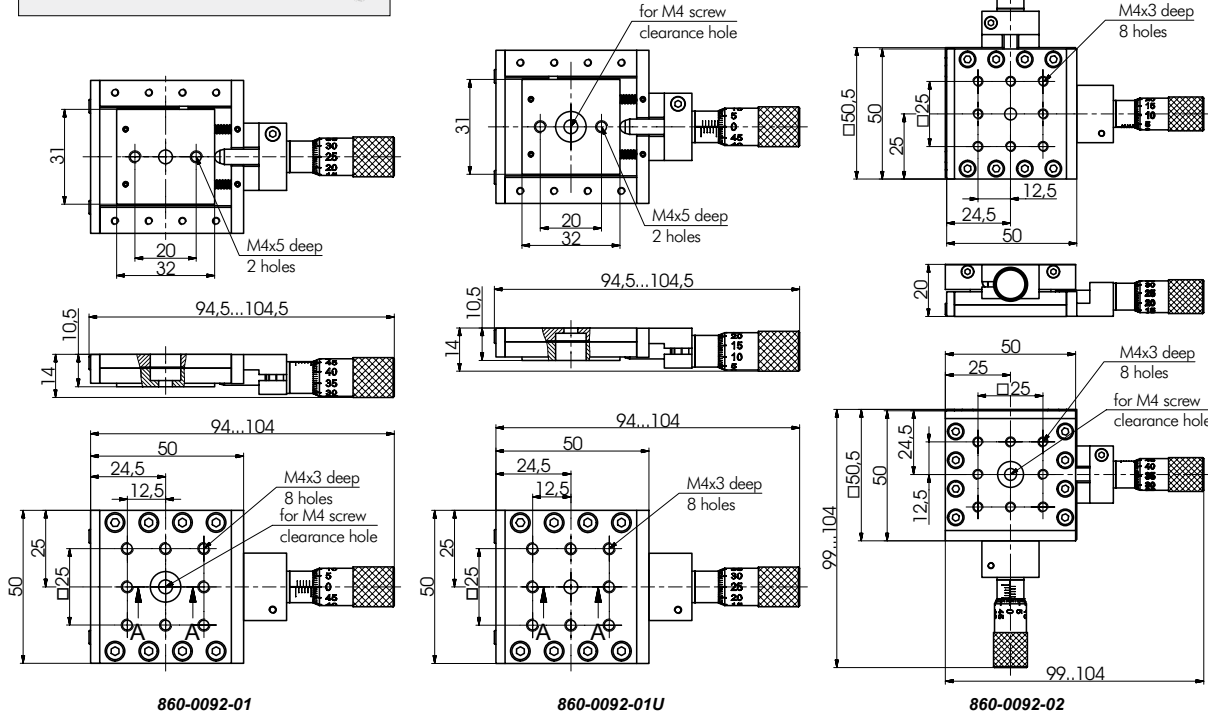
820-0135-04 universal base plate for stacking the translation stages to optical tables or to another stages.
See page 8.38

Code	Weight, kg	Price, EUR
860-0092-01	0.14	171
860-0092-01U	0.14	171
860-0092-01SS	0.20	214
860-0092-01SSU	0.20	219
860-0092-01SSV	0.20	328
860-0092-01SSVU	0.20	328
860-0092-02	0.34	330
860-0092-02SS	0.35	415
860-0092-02SSV	0.35	625

Complementary Products

Code	Page
810-0140	8.27

-SS in product code indicates that stages are of stainless steel;
-V in product code indicates that stages are Vacuum 10⁻⁶ Torr compatible.



OPTICAL TABLES
BRACKETS & RAILS
BASE MOUNTS & ACCESSORIES
OPTICAL MOUNTS
OPTICAL POSITIONERS
BASE POSITIONERS
TRANSLATION & ROTATION STAGES
ADJUSTMENT SCREWS
MOTORIZED POSITIONERS