

860-0090

MINI RAIL SYSTEM BALL SLIDE POSITIONERS



860-0090-02

The Mini Rail System Ball Slide Positioner 860-0090-02 has a travel range 5 mm. Using the micrometer driving screw mounted into M10×1 taped hole, the resolution 10 μm is achieved. Positioners have adapters for mounting onto Mini Optical Rail System rails and can be locked in a position using a fixing screw. With a help of Rail Carriers the Mini Rail System Ball Slide Positioner 860-0090-02 can be coarsely positioned in a range of 30 mm. With two 860-0090-02 and one 860-0090-01 you may stack the X-Y-Z applications directly. 810-0010 for building optical bench or precise optical rail system suitable for these precise positioners.



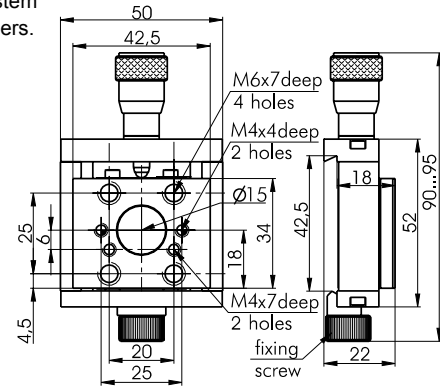
| Code | Weight, kg | Price, EUR |
|-------------|------------|------------|
| 860-0090-02 | 0.18 | 191 |
| 860-0090-04 | 0.23 | 206 |

SPECIFICATIONS

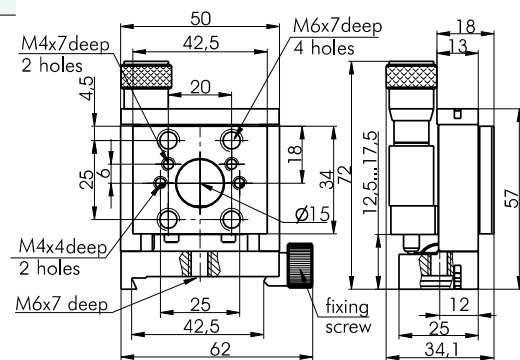
| | |
|-----------------------|-----------------|
| Travel range | 5 mm |
| Rough XY travel range | ±20 mm |
| Sensitivity | 1 μm |
| Tracking accuracy | 2 μm |
| Reading accuracy | 5 μm (1/2 div.) |
| Load capacity: | |
| horizontal | 3 kg |
| vertical | 1 kg |

Complementary Products

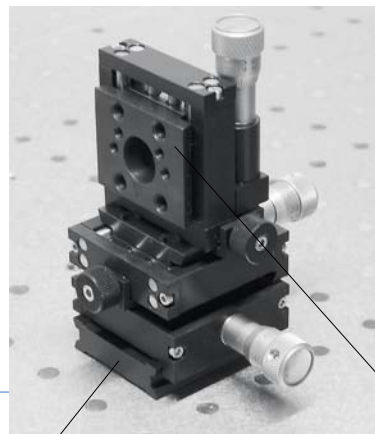
| Code | Page |
|----------|------|
| 810-0010 | 8.16 |



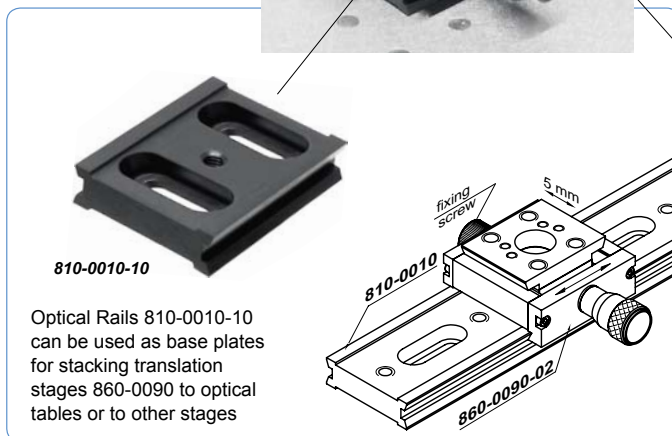
860-0090-02



860-0090-04

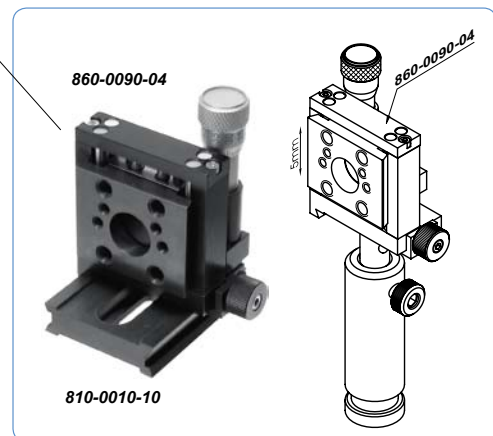


You may stack the stages for X-Y-Z applications directly, without screws. Default base plate choice for 860-0090 XYZ is 810-0010-10 optical rail.



810-0010-10

Optical Rails 810-0010-10 can be used as base plates for stacking translation stages 860-0090 to optical tables or to other stages



860-0090-04

810-0010-10

OPTICAL TABLES

BRACKETS & RAILS

BASE MOUNTS & ACCESSORIES

OPTICAL MOUNTS

OPTICAL POSITIONERS

BASE POSITIONERS

TRANSLATION & ROTATION STAGES

ADJUSTMENT SCREWS

MOTORIZED POSITIONERS