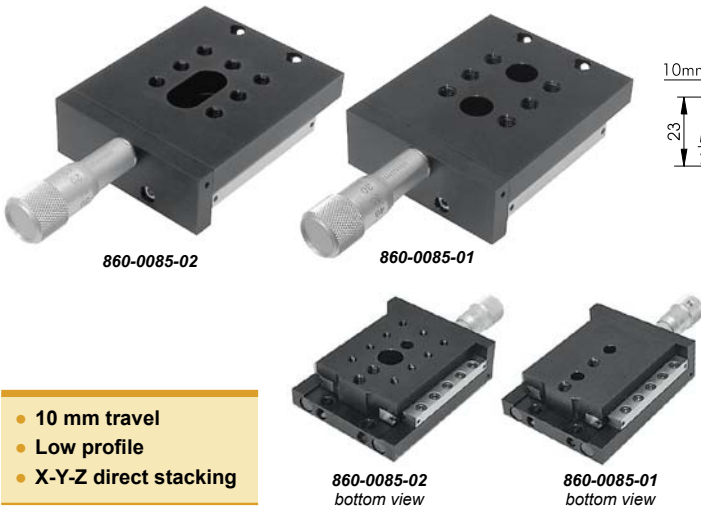


860-0085 BASIC TRANSLATION STAGES



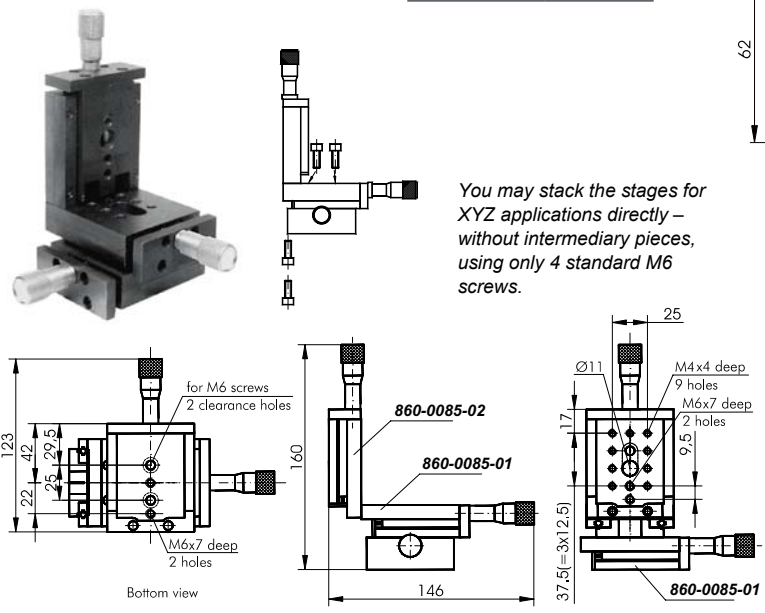
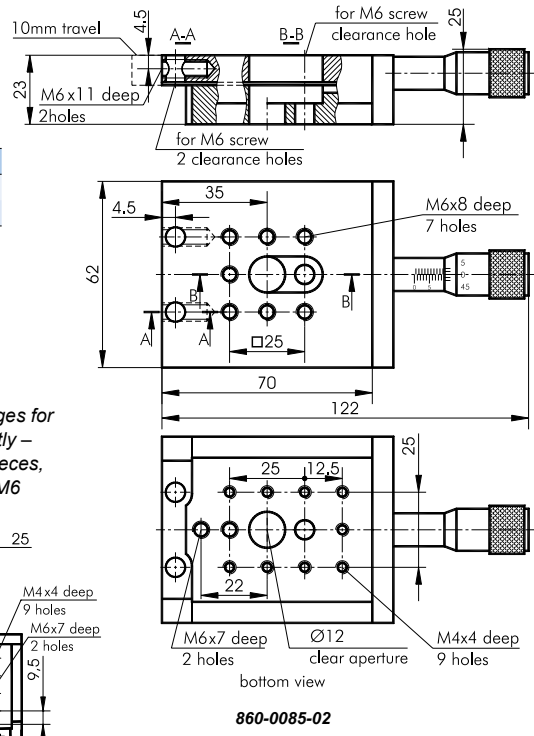
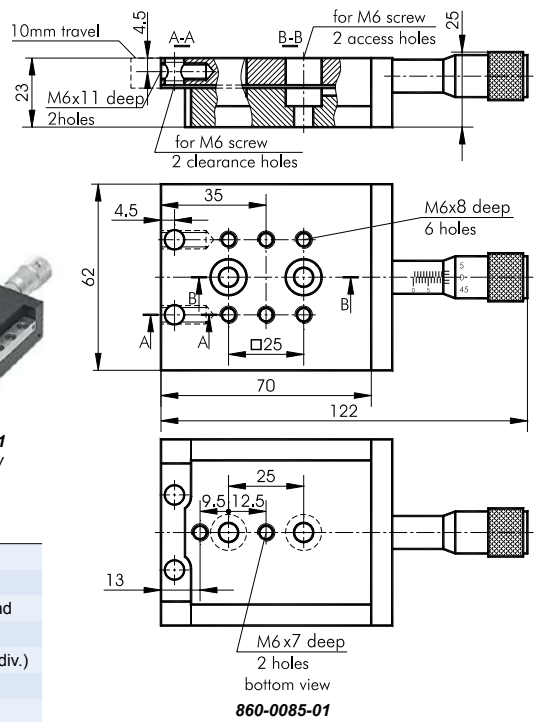
- 10 mm travel
- Low profile
- X-Y-Z direct stacking

Basic Translation Stages 860-0085. 860-0085-01 – for X axis. Two such stages stack in XY axes with greater stability (2 screws M6 are used). 860-0085-02 – for Z axis. It has less XY mounting provisions than 860-0085-01. It has extra mounting holes for end items. 2 screws M6 are used for Z stacking. 860-0085-02 has patterns of mounting holes: M6 on the platform, and M4 on the base. The base has a Ø12 mm clear aperture not obscured over the whole travel range. The platform rolls on ball bearing guides, and is preloaded against the driving screw by springs. Load capacity is up to 3 kg, when mounted vertically. The stages mount directly to their own type, or to other stages, optical tables. The stages are of black finished aluminium.

SPECIFICATIONS

Travel range	10 mm
Sensitivity	1 µm
Angular deviation	< 200 µrad
Tracking accuracy	2 µm
Reading accuracy	5 µm (½ div.)
Load capacity:	
horizontal	10 kg
vertical (relative to driving screw)	
against	3 kg
away	0.5 kg
Weight	0.3 kg

Code	Price, EUR
860-0085-01	179
860-0085-02	188



You may stack the stages for XYZ applications directly – without intermediary pieces, using only 4 standard M6 screws.

OPTICAL TABLES

BRACKETS & RAILS

BASE MOUNTS & ACCESSORIES

OPTICAL MOUNTS

OPTICAL POSITIONERS

BASE POSITIONERS

TRANSLATION & ROTATION STAGES

ADJUSTMENT SCREWS

MOTORIZED POSITIONERS