

860-0070

LOW PROFILE ALUMINIUM TRANSLATION STAGES



860-0070-02



860-0070-04
with insert platform

- Precision movement
- 25, 50 mm travel ranges
- Stackable for multi-axes positioning
- Reversible for left or right hand applications
- 2 inches (Ø50 mm) clear aperture
- Insert platform with M6, M4 and clearance holes

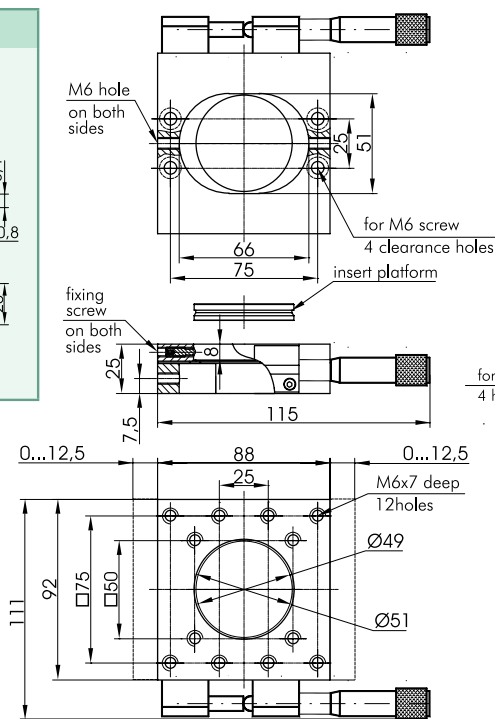
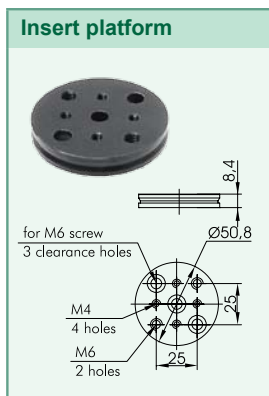
Specifications	860-0070-02	860-0070-04
Travel range	1" (25.4 mm)	2" (50.8 mm)
Sensitivity, µm		1
Precision		high
Angular deviation		<200 µrad
Type		high performance
Load capacity:		
horizontal, kg		16
vertical, kg		7
Weight, kg	0.5	1.2
Assemblies:		
X-Y		directly
Z	810-0115	810-0116

Low Profile Aluminium Translation Stages 860-0070 provide single axis movement.

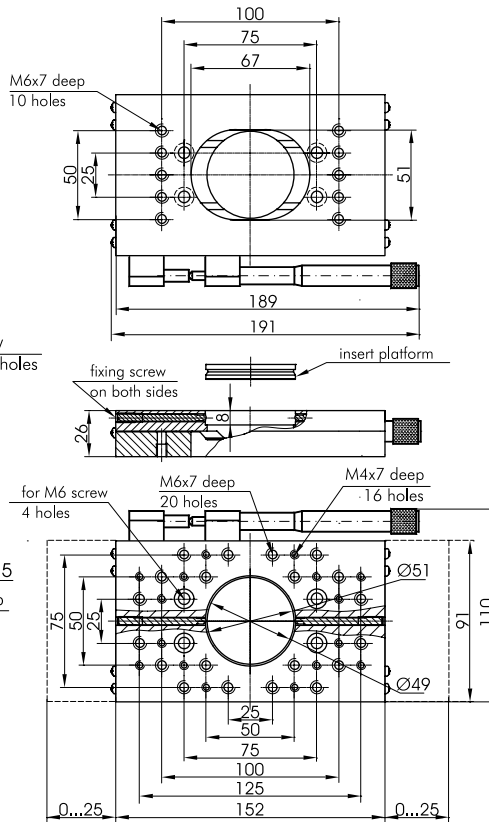
Items are fixed on a platform by M6 tapped holes. 860-0070-04 has M4 holes in addition. The stages have central clear aperture Ø50 mm (2 inch), which remains unobstructed over some 15 mm of travel. Close the aperture with an insert platform – laid against the resting flange. The insert platform provides additional mounting holes, which you can rotate. It is locked by two fixing screws.

Angle Brackets 810-0115 (810-0116) tie the stages 860-0070-02 (860-0070-04) into an X-Y-Z translation system.

Code	Weight, kg	Price, EUR
860-0070-02	0.5	309
860-0070-02 XY	1	618
860-0070-02 XYZ	1.6	982
860-0070-04	1.2	434
860-0070-04 XY	2.4	868
860-0070-04 XYZ	3.7	1361



860-0070-02



860-0070-04

OPTICAL TABLES

BRACKETS & RAILS

BASE MOUNTS & ACCESSORIES

OPTICAL MOUNTS

OPTICAL POSITIONERS

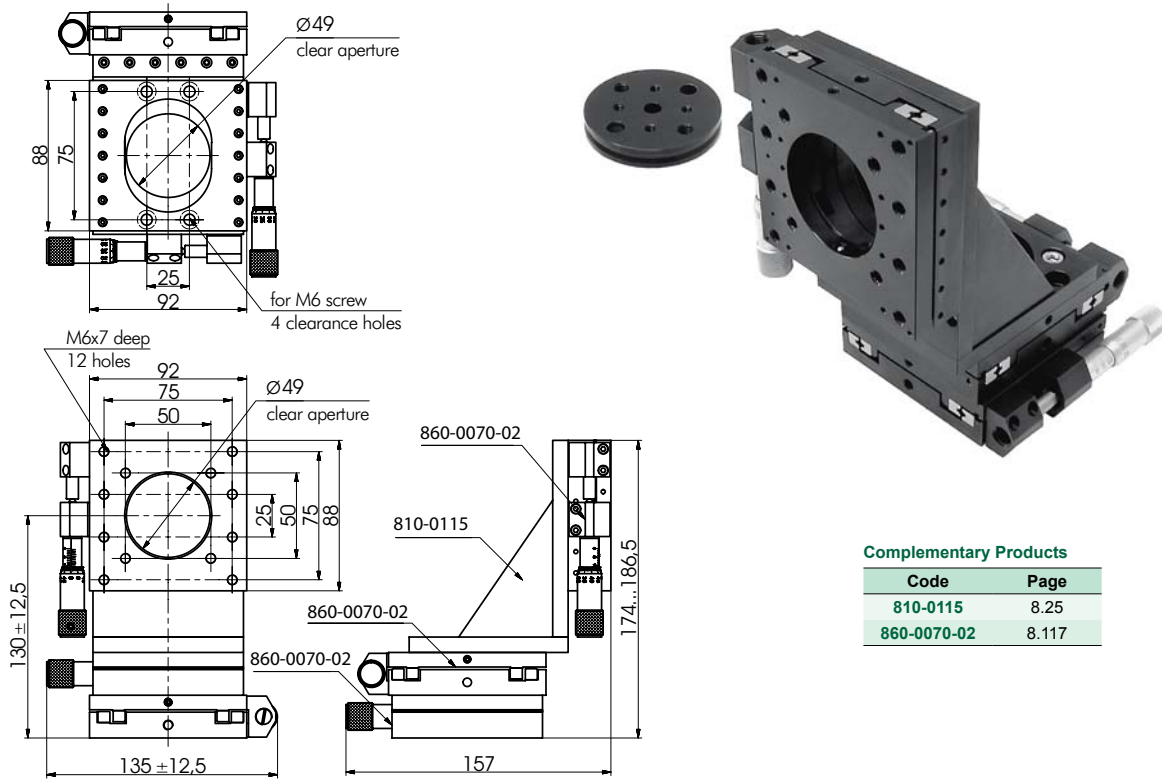
BASE POSITIONERS

TRANSLATION & ROTATION STAGES

ADJUSTMENT SCREWS

MOTORIZED POSITIONERS

Example of 860-0070-02 XYZ



Complementary Products

Code	Page
810-0115	8.25
860-0070-02	8.117

860-0070-06 LOW PROFILE TRANSLATION STAGE WITH QUICK MOVE LEVER



860-0070-06 with insert platform

860-0070-06 xy with insert platform

- Lever for quick movement by passing the driving screw
- Precise movement
- 100 mm travel range
- Quick move lever bypassing a driving screw
- Stackable for XY positioning
- 2 inches (Ø50 mm) clear aperture
- Insert platform with M6, M4 and clearance holes

SPECIFICATIONS

Travel range	100 mm
Sensitivity	1 µm
Scale graduation	10 µm
Load capacity	16 kg
Weight	0.6 kg

Code	Price, EUR
860-0070-06	498
860-0070-06 XY	996