

**860-0058 SIDE CONTROL LINEAR STAGES**



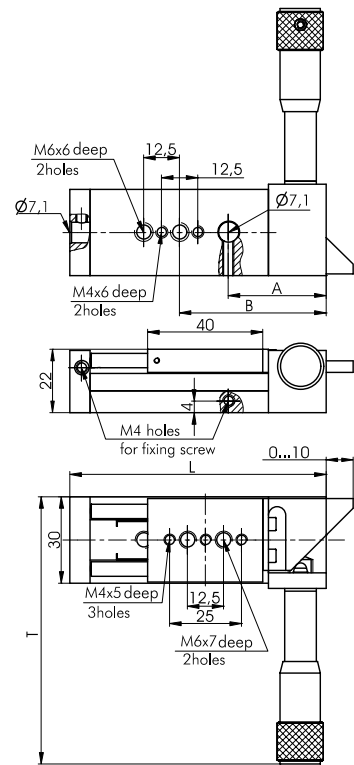
Side control linear translation stages 860-0058 are equipped with 870-0040 series micrometer screws and provide convenient control in limited space setups. Both left-hand (860-0058-10, 860-0058-20) and right-hand (860-0058-11; 860-0058-21) versions are available. These stages can be used in multi-axis combinations and are compatible with 860-0060 series stages. In dense optical schemes with limited access to multi-axis stages you have a possibility to control all three axes from one side.

- 10, 20 mm travel ranges
- Side Control Linear Stage
- Driving micrometer screw
- Precise ball bearings
- Compact XYZ configuration with all screws from one side
- Right and left hand versions are available

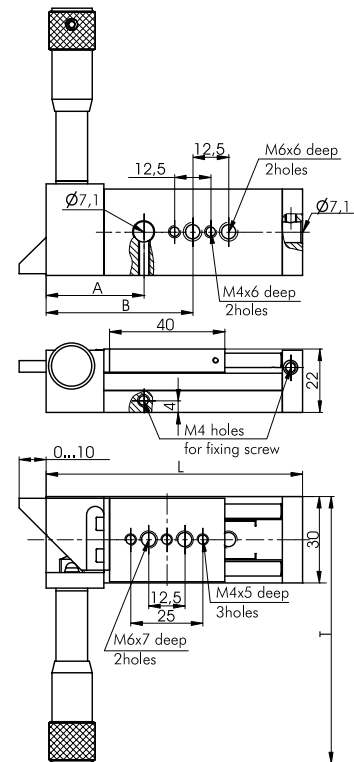
**SPECIFICATIONS**

Model	860-0058-10	860-0058-20
Travel range, mm	10	20
Sensitivity, $\mu\text{m}$		1
Tracking accuracy, $\mu\text{m}$		2
Reading accuracy, $\mu\text{m}$	5 (1/2 division)	
Load capacity:		
horizontal, kg	10	
vertical, kg		5
Weight, kg	0.18	0.23
Assemblies:		
X-Y	810-0250	
Z	810-0150	
Price, EUR	206	239

Catalogue number	Description	A, mm	B, mm	L, mm	T, mm	Weight, kg
860-0058-10	left hand version	31	46	79	67-77	0.18
860-0058-11	right hand version	31	46	79	67-77	0.18
860-0058-20	left hand version	34	51	89	74-94	0.23
860-0058-21	right hand version	34	51	89	74-94	0.23



**860-0058**  
left hand version



**860-0058**  
right hand version

OPTICAL TABLES  
BRACKETS & RAILS  
BASE MOUNTS & ACCESSORIES  
OPTICAL MOUNTS  
OPTICAL POSITIONERS  
BASE POSITIONERS  
TRANSLATION & ROTATION STAGES  
ADJUSTMENT SCREWS  
MOTORIZED POSITIONERS