

860-0054 STAINLESS STEEL SINGLE TO MULTI-AXES STAGES

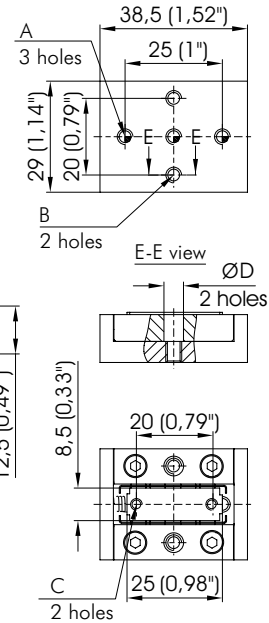


860-0054-02 and 860-0054

- Solid box design
- Compact design
- 6 mm travel range
- Large mounting surface
- Easily stacked in X-Y configuration
- Made entirely of stainless steel – easily adaptable for vacuum applications

Stable Steel Translation Stages 860-0054 have low profile, and increased stability and precision. Box design reinforces the stage, reducing flex. Steel, as a material, adds to stability. The platform is preloaded by springs.

The stages can be stacked immediately to other units, or to their own type (e.g. in X-Y configuration). The stages can be used upside-down. The stages are entirely made of stainless steel.



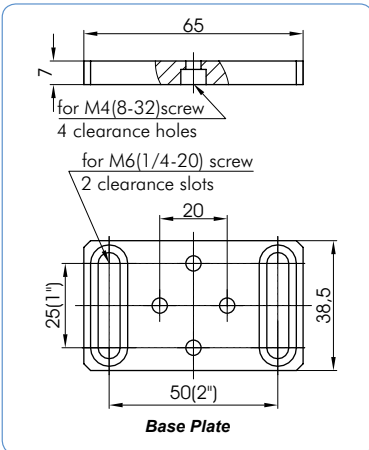
860-0054 with Mini Micrometer 870-0055-04



860-0054 with Fine Hex Adjustment Screw 870-0090ML



860-0054 with Fine Hex Adjustment Screw 870-0090MN



Complementary Products

Code	Page
810-0145	8.27
860-0054	8.110
870-0055-04	8.141
870-0090ML	8.145
870-0090MN	8.145

SPECIFICATIONS

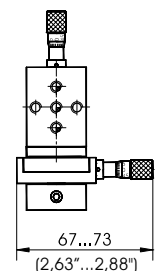
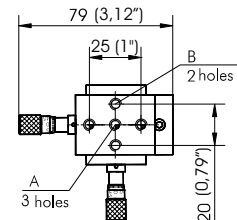
Travel range	6 mm
Sensitivity	1 µm
Reading accuracy	10 µm
Angular deviation	<150 µrad
Tracking accuracy	2 µm
Load capacity:	
horizontal	45 kg
vertical	3 kg
Weight	0.1 kg
Assemblies:	
X-Y	directly
Z	810-0145

Code	Price, EUR
860-0054	149
860-0054-02	149

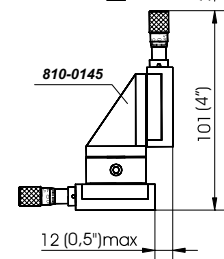
Dimension	860-0054-02 (imperial)	860-0054 (metric)
A	#8-32×0.11" deep	M4×3 deep
B	#8-32×0.19" deep	M4×5 deep
C	#4-40×0.23" deep	M3×6 deep
D	0.2×0.27" deep	6×7 deep



860-0054 XYZ



810-0145



ORDERING

860-0054 – model of metric dimensions – is the standard one.
860-0054-02 – model of imperial dimensions – is produced on demand.
Note: actuator is **not included**. It can be ordered separately. Suitable micrometers are: **870-0055-04**, **870-0090M**, **870-0090MN**.
For vacuum applications please indicate this in your order. We will prepare the stage with appropriate components (e.g. apply alternative lubricants).