

**860-0052 STABLE STEEL TRANSLATION STAGE**



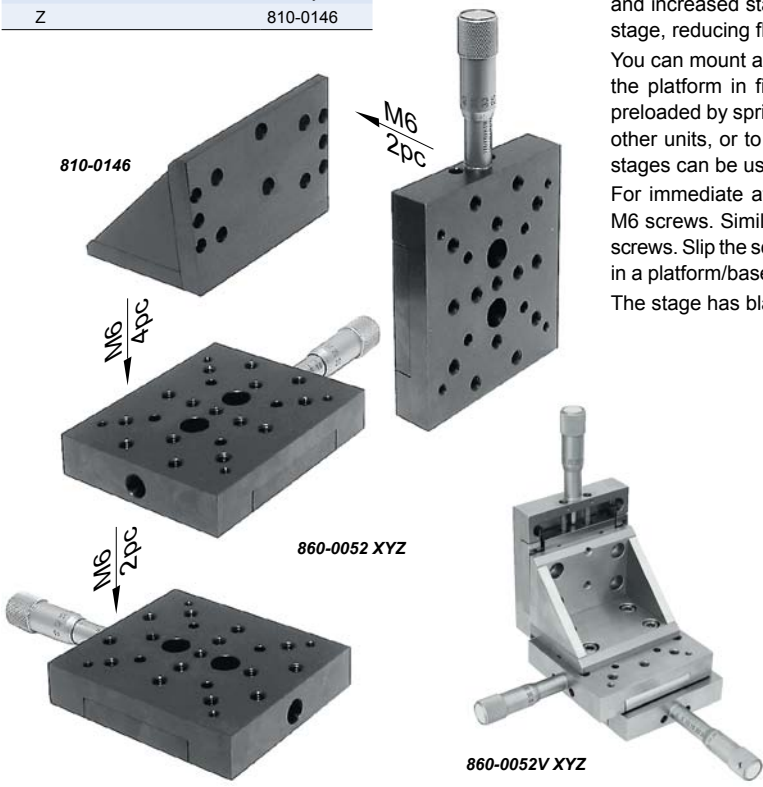
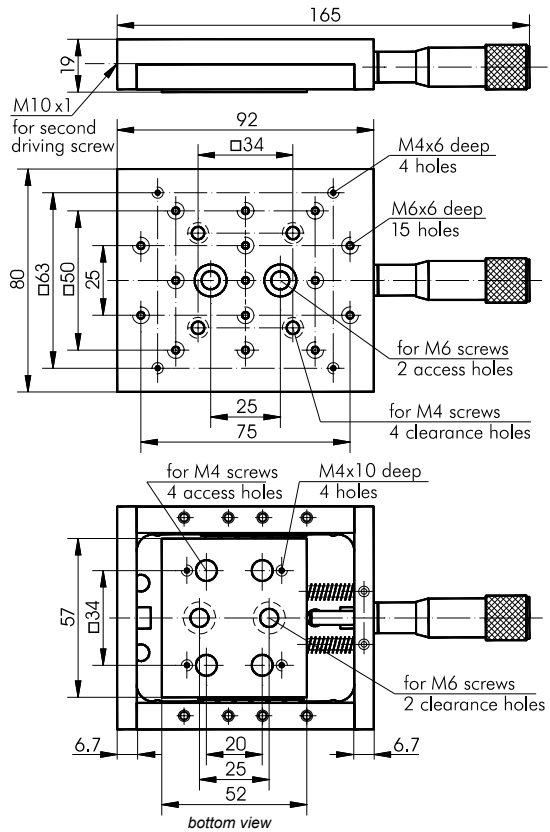
- Solid box design
- 25 mm travel range
- Variety of mounting holes and options
- Easily stacked in X-Y configuration
- For Z axis add 810-0146
- Large mounting surface
- Made of steel

**SPECIFICATIONS**

Travel range	25 mm
Sensitivity	1 μm
Reading accuracy	10 μm
Angular deviation	<200 μRad
Tracking accuracy	2 μm
Load capacity:	
horizontal	20 kg
vertical	5 kg
Assemblies:	
X-Y	directly
Z	810-0146

**Complementary Products**

Code	Page
810-0146	8.28



Stable Steel Translation Stages 860-0052 have large mounting surface, great travel range for this relatively small size, low profile, and increased stability and precision. Box design reinforces the stage, reducing flex. Steel, as a material, adds to stability.

You can mount a second driving screw on the other end (to lock the platform in fixed positioning applications). The platform is preloaded by springs. The stages can be stacked immediately to other units, or to their own type (e.g. in X-Y configuration). The stages can be used upside-down.

For immediate attachment the base has 2 clearance holes for M6 screws. Similarly, the platform has 4 clearance holes for M4 screws. Slip the screws from top or under through the access holes in a platform/base. Micrometer 870-0040-25 comes as standard. The stage has black anodized finish.

**ORDERING INFORMATION**

Steel version:  
860-0052; 860-0052 XYZ

Stable Steel version:  
860-0052S; 860-0052S XYZ

Version for vacuum:  
860-0052V; 860-0052V XYZ

Code	Weight, kg	Price, EUR
860-0052	0.78	298
860-0052XY	1.7	596
860-0052XYZ	2.58	930
860-0052S	0.8	398
860-0052SXY	1.6	796
860-0052SXYZ	2.6	1230

OPTICAL TABLES  
BRACKETS & RAILS  
BASE MOUNTS & ACCESSORIES  
OPTICAL MOUNTS  
OPTICAL POSITIONERS  
BASE POSITIONERS  
TRANSLATION & ROTATION STAGES  
ADJUSTMENT SCREWS  
MOTORIZED POSITIONERS