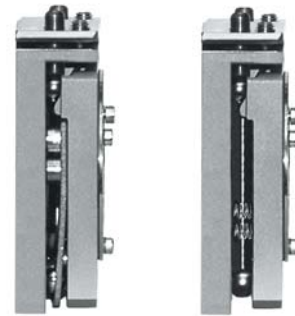


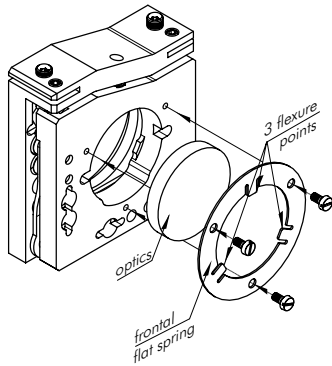
**840-0220**      **KINEMATIC VERTICAL DRIVE OPTICAL MOUNT**  
**840-0225**      **VERTICAL DRIVE OPTICAL MOUNT**

- For 1", 1.5", 2" or 3" optics
- Stainless steel
- Compact/robust design
- Lockable adjustment screws
- Fine screws pitch 0.25 mm (101.6 TPI)
- Tilt/tip range ±2.5°
- Sensitivity 2 arcsec
- Vacuum compatible version is available on request
- Weight 0.18 kg

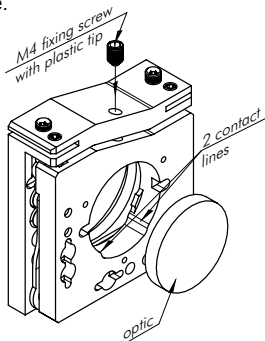


840-0225

840-0220



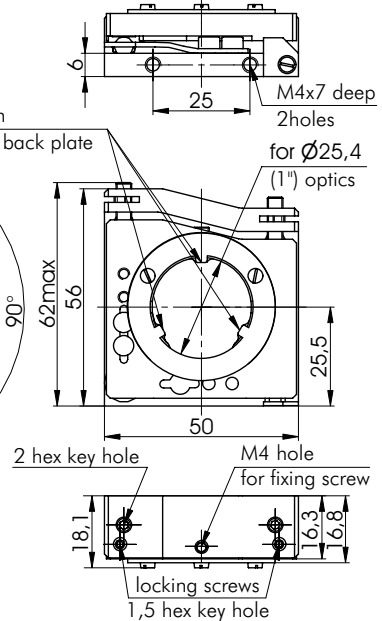
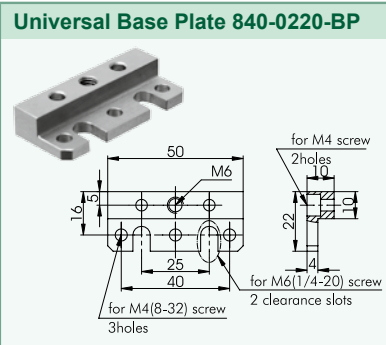
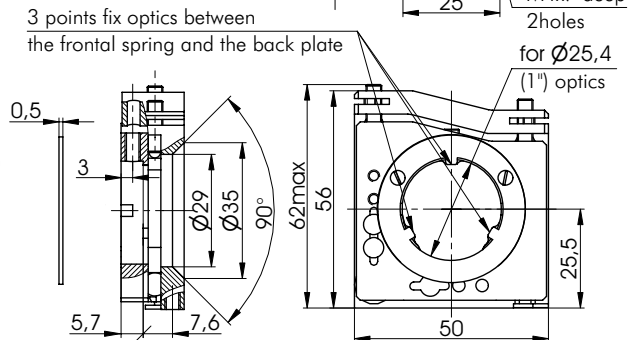
840-0220 and 840-0225 mirror mounts use secure 3-points mirror suspension in between the frontal flat spring and the back plate.



A fixing screw secures the optics against contact lines, which make 2 contact points. To prevent damage to the optics, the tip of the fixing screw is made of plastic.

Ultra-stable Mirror Mounts 840-0220 and 840-0225 are designed to minimize mount-induced wavefront distortions. In conventional mounts, the mirror is tightened by a side screw. Radial forces acting on the mirror induces parasitic wavefront distortion, such as astigmatism. Uniformly distributed axial forces eliminate wavefront distortion.

These mounts are ideal for industrial applications in different optical devices (laser cavities, optical sub-assemblies, limited space applications) because of their long-term stability.



**840-0220-01**  
 Ultra-stable Kinematic Mirror Mount for 1" optics  
 Drawings of mounts for 1.5", 2" and 3" optics are available at [www.eksmaoptics.com](http://www.eksmaoptics.com)

**Ordering Information**

Catalogue number	Description	Price, EUR
840-0220-01	Ultra-stable Kinematic Mirror Mount for Ø25.4 mm (1") optics	128
840-0220-15	Ultra-stable Kinematic Mirror Mount for Ø38.1 mm (1.5"), 8 mm thickness optics	262
840-0220-02L	Ultra-stable Kinematic Mirror Mount for Ø50.8 mm (2"), 12.7 mm thickness optics	292
840-0220-02S	Ultra-stable Kinematic Mirror Mount for Ø50.8 mm (2"), 8 mm thickness optics	292
840-0220-03L	Ultra-stable Kinematic Mirror Mount for Ø76.2 mm (3"), 12.7 mm thickness optics	350
840-0220-03S	Ultra-stable Kinematic Mirror Mount for Ø76.2 mm (3"), 8 mm thickness optics	350
840-0225-01	Ultra-stable Mirror Mount with L-shaped flat spring for Ø25.4 mm (1") optics	128
840-0225-15	Ultra-stable Mirror Mount with L-shaped flat spring for Ø38.1 mm (1.5"), 8 mm thickness optics	262
840-0225-02L	Ultra-stable Mirror Mount with L-shaped flat spring for Ø50.8 mm (2") optics for 8 mm thickness optics	292
840-0225-02S	Ultra-stable Mirror Mount with L-shaped flat spring for Ø50.8 mm (2") optics for 12.7 mm thickness optics	292
840-0220-BP	Universal Base Plate	20

OPTICAL TABLES  
 BRACKETS & RAILS  
 BASE MOUNTS & ACCESSORIES  
 OPTICAL MOUNTS  
 OPTICAL POSITIONERS  
 BASE POSITIONERS  
 TRANSLATION & ROTATION STAGES  
 ADJUSTMENT SCREWS  
 MOTORIZED POSITIONERS