

830-0100 • 830-0101
830-0110 • 830-0111

RECTANGULAR OPTICS HOLDER



830-0110

830-0100

Rectangular optics holders 830-0100 and 830-0110 provide easy and safe mounting of rectangular optics.

- Guiding pins ensure correct and reliable positioning of optical components
- M6 holes on two sides allow horizontal or vertical mounting

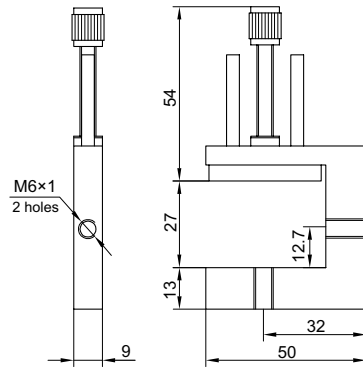
830-0101, 830-0111 have additional 1 mm raised edge for optics to stop against. Ideal for mounting rectangular windows and plano-concave cylindrical lenses.

You may put lens flat side on raised edges and lock with fixing bolt.

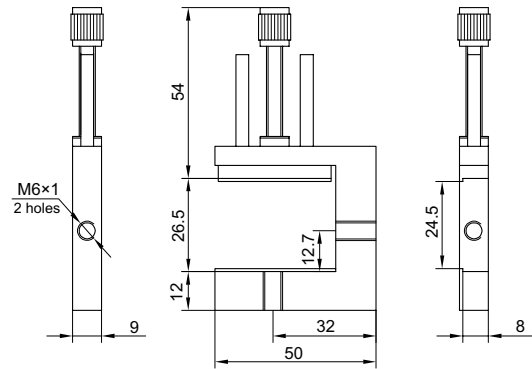
Finish: Black anodized aluminium.



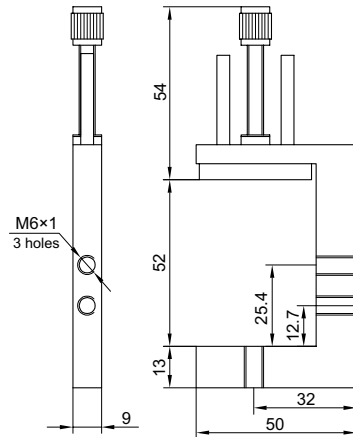
830-0110 and 830-0100 with lenses



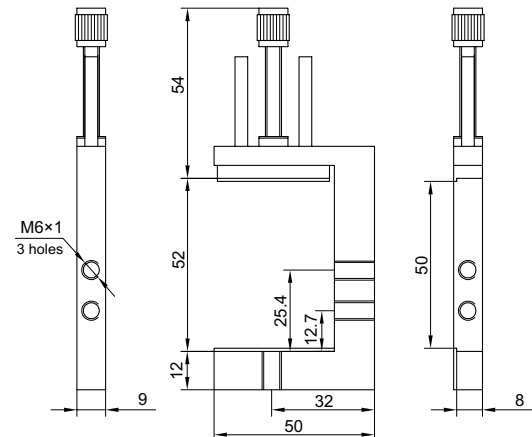
830-0100



830-0101



830-0110



830-0111

Code	Suitable for optics height, mm	Weight, kg	Price, EUR
830-0100	0–26	0.05	28
830-0101	2–26	0.05	29
830-0110	24.5–51	0.06	29
830-0111	26.5–51	0.06	30