

830-0040

VARIABLE LENS HOLDER

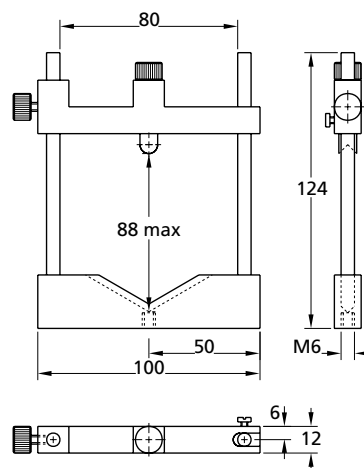


The model 830-0040 variable lens holder provides optics from 15 mm to 78 mm in diameter registration. A top spring-loaded clamp holds optics of any configuration gently but firmly within V-shaped mounting base. Kinematic clamp height fixing provide convenience when optics removed and replaced.

Model 830-0040 holder is useful for thin lenses holding.

Finish: black oxidized steel.

Code	Weight, kg	Price, EUR
830-0040	0.36	48



830-0050

OPTICS CLAMP

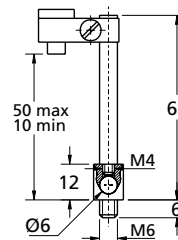


The 830-0050 clamp is especially convenient for fast optical elements clamping on bases, translators, rotators and other surfaces with M6 and M4 tapped holes.

Rod material: Stainless steel.

Clamp finish: black anodized aluminium

Code	Price, EUR
830-0050	19



OPTICAL TABLES

BRACKETS & RAILS

BASE MOUNTS & ACCESSORIES

OPTICAL MOUNTS

OPTICAL POSITIONERS

BASE POSITIONERS

TRANSLATION & ROTATION STAGES

ADJUSTMENT SCREWS

MOTORIZED POSITIONERS