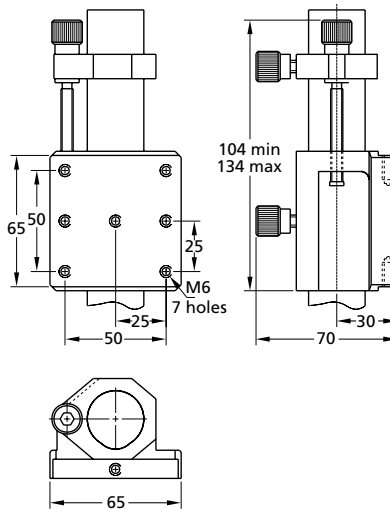


**810-0060**

**VERTICAL POSITIONER**



**Complementary Products**

Code	Page
810-0050	8.18
810-0051	8.18
810-0060	8.19
810-0080	8.23
810-0090	8.23
820-0070	8.35
820-0090	8.36
840-0020	8.58
840-0115	8.76
092-0015	1.20

The 810-0060 positioner has one mounting surface with M6 tapped holes. It provides coarse and smooth vertical positioning of mounted components. Regulating screw thread is M6 × 0.5 mm. The 820-0090 base and the 810-0080, 810-0090 angle brackets can be fastened to the edge or to the mounting surface of positioner.

Finish: black oxidized steel.

Code	Weight, kg	Price, EUR
810-0060	1.00	61

Mounting option:  
Large Rod with Rod Base 810-0051  
Vertical Positioner 810-0060  
Movable Base 820-0090



Mounting option – Periscope:  
Large Rod with Rod Base 810-0050,  
Large Rod Mounting Clamp 810-0061,  
Movable Base 820-0090,  
Kinematic Mirror and Beam splitter Mount 840-0020,  
Adapter for Mirror at 45° 840-0115 (2 pcs.),  
Vertical Positioner 810-0060,  
Movable Base 820-0070 (2 pcs.),  
Mirrors 092-0015



Mounting option – Periscope:  
Large Rod with Rod Base 810-0050,  
Kinematic Mirror and Beam splitter Mount 840-0020,  
Adapter for Mirror at 45° 840-0115 (2 pcs.),  
Vertical Positioner 810-0060 (2 pcs.),  
Movable Base 820-0070 (2 pcs.),  
Mirrors 092-0015

OPTICAL  
TABLES

BRACKETS &  
RAILS

BASE MOUNTS &  
ACCESSORIES

OPTICAL  
MOUNTS

OPTICAL  
POSITIONERS

BASE  
POSITIONERS

TRANSLATION &  
ROTATION STAGES

ADJUSTMENT  
SCREWS

MOTORIZED  
POSITIONERS