

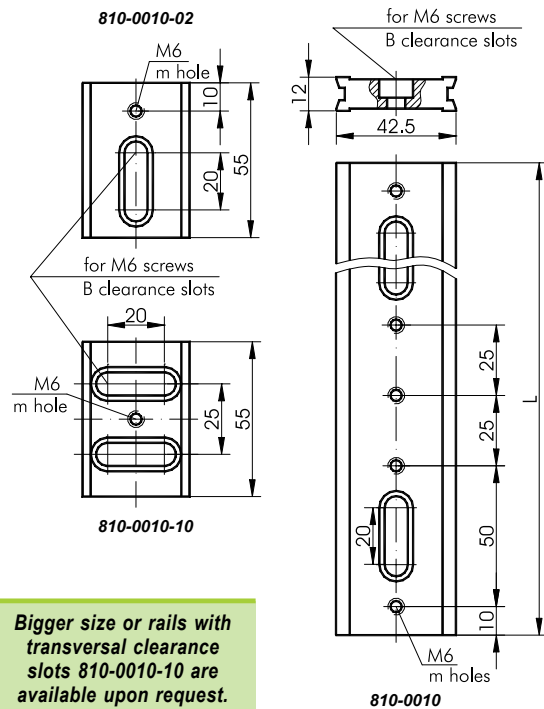
## 810-0010

## STEEL OPTICAL RAILS

The Optical Rails 810-0010 have low profile and are made of hardened steel. Rails have patterns of M6 tapped holes and of 6.4 mm clearance slots. The holes and slots are used for mounting on optical plates, opto-mechanical elements and for interconnections.



Code	L, mm	B	m	Weight, kg	Price, EUR
810-0010-02	55	1	1	0.15	49
810-0010-04	270	2	8	0.76	99
810-0010-06	470	4	14	1.36	109
810-0010-08	670	6	20	1.93	148
810-0010-10	55	2	1	0.15	54



**Bigger size or rails with transversal clearance slots 810-0010-10 are available upon request.**

## 810-0020

## STEEL RAIL CARRIERS



810-0020-02



810-0020-04



810-0020-06

The Rail Carriers 810-0020 may be quickly lifted and set again on the rail. Slide the carrier to any point on the rail and secure it with the fixing screw. The carriers have patterns of M6 and  $\varnothing 6.4$  mm mounting holes for fastening of other opto-mechanical elements.

Design is such that a little space is required while high versatility is achieved. Carrier 810-0020-04 has  $\varnothing 18$  mm clear aperture. Precision Carriers 810-0020 come in two available widths: 25 mm and 50 mm. The Carrier 810-0020-06 may be used as a reference positioning component for repeated positioning. Units, such as 810-0020-04 or 860-0090-02, may be reinserted exactly into the same position next to the reference carrier.

Rail Carriers are made of black finished hardened steel.

Code	Weight, kg	Price, EUR
810-0020-02	0.16	66
810-0020-04	0.15	66
810-0020-06	0.08	46



## Complementary Products

Code	Page
860-0090-02	8.121

