

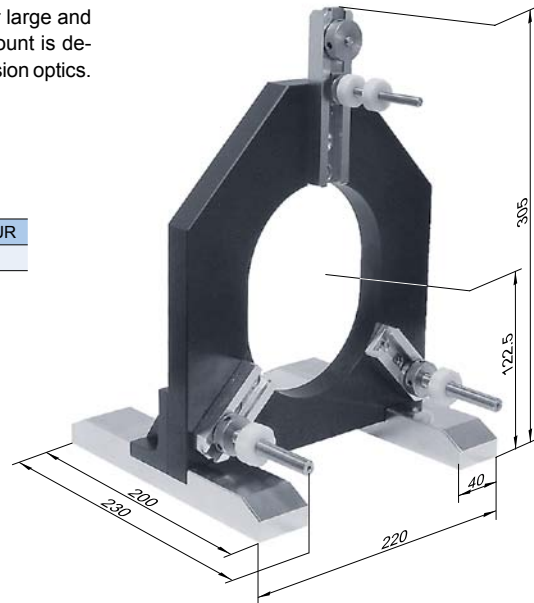
**840-0006**

**LARGE OPTICAL MOUNT**

- Optics diameter 115–250 mm
- Optics thickness 52 mm
- Load capacity 6 kg

Big Optical Mount for large and heavy optics. The mount is designed for a transmission optics.

Code	Weight, kg	Price, EUR
840-0006	5.3	290



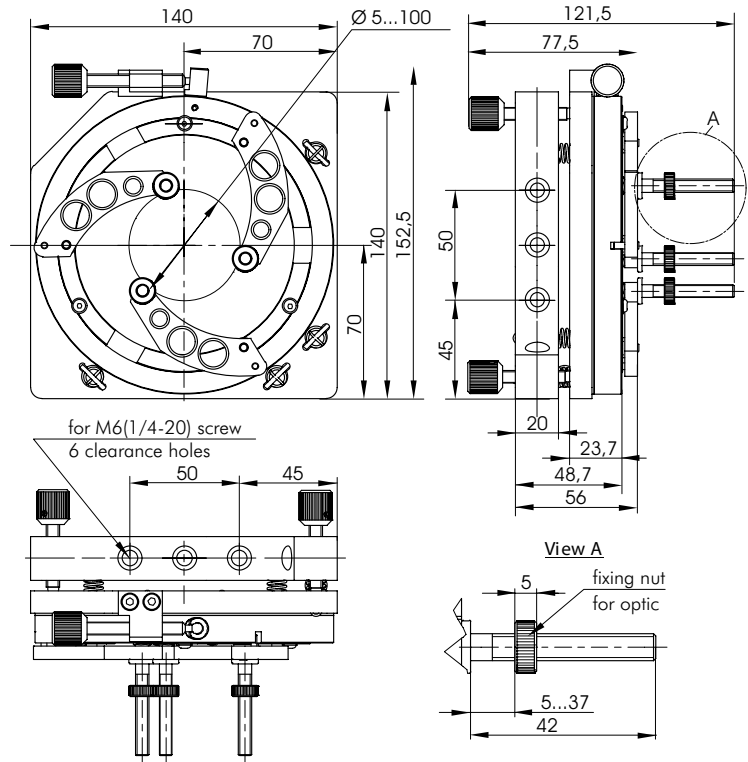
**840-0007**

**SELF-CENTRING LARGE APERTURE OPTICAL MOUNT**



840-0007-10

- Tilt/tip range  $\pm 2.2^\circ$
- Linear adjustment of X axis is possible on request
- More linear axes are possible on request
- Great variety of optics diameters can be used with this mount



840-0007-10

OPTICAL TABLES

BRACKETS & RAILS

BASE MOUNTS & ACCESSORIES

OPTICAL MOUNTS

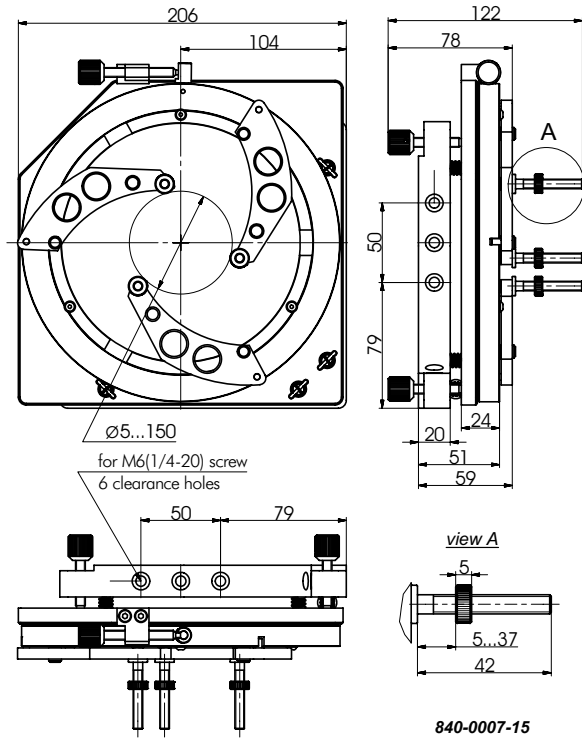
OPTICAL POSITIONERS

BASE POSITIONERS

TRANSLATION & ROTATION STAGES

ADJUSTMENT SCREWS

MOTORIZED POSITIONERS



Optics diameter range	5-100 mm or 5-150 mm
Tilt/tip range	$\pm 2^\circ$
Options	Translation Stage 860-0052 Base plate

Code	Optics Diameter Range	Price, EUR
840-0007-10	5-100 mm	380
840-0007-15	5-150 mm	500

Complementary Products	
Code	Page
860-0052	8.108

**840-0010 • 840-0020 • 840-0030 KINEMATIC MIRROR AND BEAMSPLITTER MOUNTS (STEEL)**



The compact model 840-0010 mirror, model 840-0020 and 840-0030 mirror/beamsplitter mounts provide fine and smooth angular alignment of mounted elements. They are designed for stable orientation of mirrors, beamsplitters, prisms and other optical components.

Models 840-0020 and 840-0030 offer gentle, 3-point (plastic type pads and plastic ended screw for fixation) support of 22-26 mm dia optics.

Mirrors can be directly bonded to the model 840-0010 mount. Alternatively, model 840-0010 mount could be used as precision kinematic tilt stage which is mounted on series 820-0010 standard rods in series 820-0050 rod holders or series 820-0040 rod translators.

