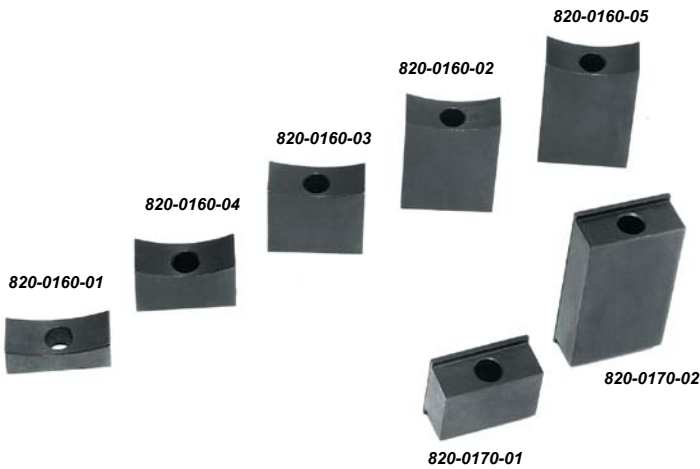
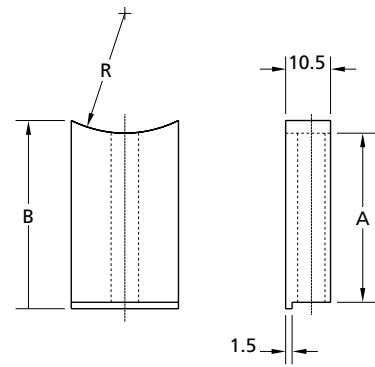


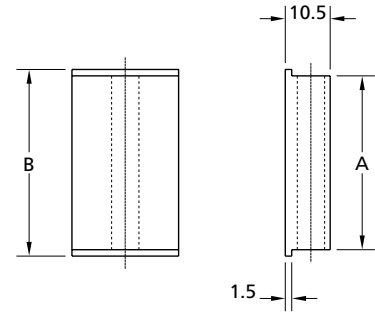
820-0160 • 820-0170 RISER BLOCKS



The 820-0160 and 820-0170 series riser blocks interface with all optical mounts and holders providing rigid mounting of components at desirable optical axis height.
Finish: black anodized aluminium.



820-0160



820-0170

Code	Mountable element	Axis height, mm	A, mm	B, mm	R, mm	Weight, kg	Price, EUR
820-0160-01	830-0010; 830-0080; 830-0030-02	50	7	11	34	0.01	5.9
820-0160-02	830-0010; 830-0080; 830-0030-02	75	32	36	34	0.02	8.2
820-0160-03	830-0020; 830-0030-04	75	22	25.5	44	0.01	7.3
820-0160-04	830-0060; 830-0070	50	13	17.6	28	0.01	6.4
820-0160-05	830-0060; 830-0070	75	38	42.6	28	0.02	8.6
820-0170-01	840-0160; 840-0170; 840-0010; 840-0020; 840-0030	50	16	19	-	0.01	5.5
820-0170-02	840-0160; 840-0170; 840-0010; 840-0020; 840-0030	75	41	44	-	0.03	5.9

Complementary Products

Code	Page
830-0010	8.46
830-0020	8.46
830-0030	8.49
830-0060	8.52
830-0070	8.52
830-0080	8.53

Code	Page
840-0010	8.58
840-0020	8.58
840-0030	8.58
840-0160	8.85
840-0170	8.85