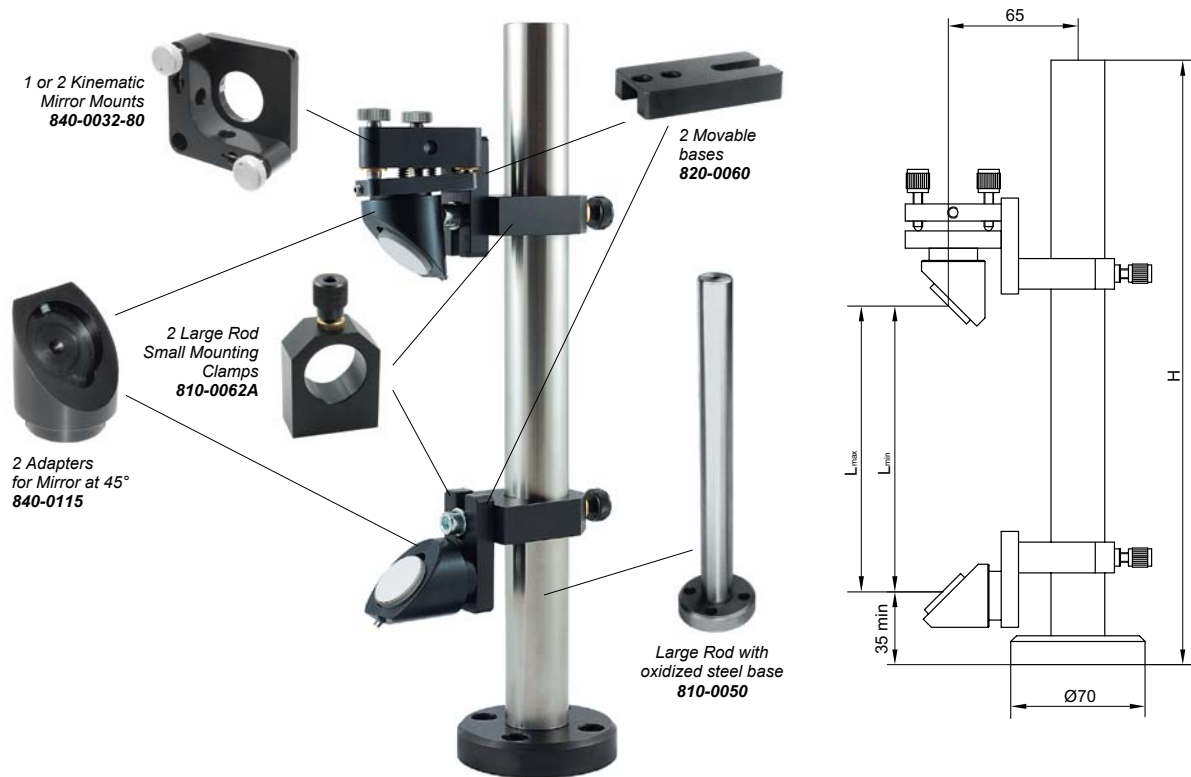


## 810-0067

## PERISCOPE ON LARGE RODS



EKSMA OPTICS offers periscope on large rods assemblies that enables to adjust the height and change direction of a laser beam. The periscope assembly consists of two adapters for mirrors at 45° 840-0115 where mounted optics face each other. Mounting Clamps 810-0062A allows to adjust the distance between mirrors for a position needed.

The assemblies are available with one or two kinematics mirror mounts that has adjustment range of 9° and sensitivity of 3 arcsec. Other kinematic mirrors for periscope (for example with 3 adjustment screws 840-0033) are available under request.

For lower than 300 mm height periscope assemblies, please see periscope on silent rods 810-0065.

Description	Code	Height (H), mm	Distance between mirrors (L <sub>min</sub> ...L <sub>max</sub> ), mm	Weight, kg	Price, EUR
Periscope on Large Rod with oxidized steel base	<b>810-5067</b>	315	35...250	2.25	210
Periscope on Large Rod with stainless steel base	<b>810-5167</b>	315	35...250	2.25	217
Periscope on Large Rod with black oxidized steel base	<b>810-5267</b>	415	35...350	2.73	240
Periscope on Large Rod with stainless steel base	<b>810-5367</b>	415	35...350	2.73	247
Periscope on Large Rod with oxidized steel base and two Kinematic Mirror Mounts	<b>810-5066</b>	315	35...250	2.34	275
Periscope on Large Rod with stainless steel base and two Kinematic Mirror Mounts	<b>810-5166</b>	315	35...250	2.34	282
Periscope on Large Rod with black oxidized steel base and two Kinematic Mirror Mounts	<b>810-5266</b>	415	35...350	2.82	305
Periscope on Large Rod with stainless steel base and two Kinematic Mirror Mounts	<b>810-5366</b>	415	35...350	2.82	312

## Complementary Products

Code	Page
<b>810-0050</b>	8.18
<b>810-0062A</b>	8.20
<b>820-0060</b>	8.35
<b>840-0032-80</b>	8.60
<b>840-0115</b>	8.76