

PRECISION MIRROR MOUNTS

- Miniature mounts for small optics
- $\pm 10^\circ$ tilt adjustments about two orthogonal axes
- High degree of versatility
- Made of black anodized aluminium

Precision Mirror Mounts ensure precise angular adjustments of small optics about two orthogonal axes with 10 arcsec sensitivity. M4 and M6 taped holes are provided for mounting. These black anodized aluminium mounts are ideal for holding 25 mm and smaller optics in tight spaces.

840-0060

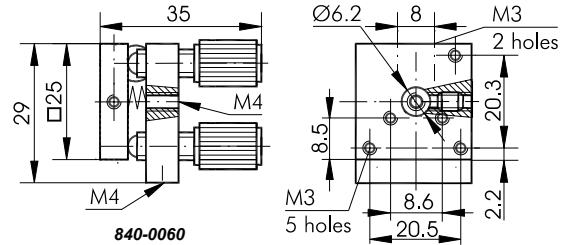
MIRROR / OPTICS MOUNT



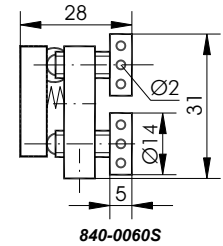
The Mirror/Optics Mount 840-0060 provides smooth and precise adjustment with sensitivity of 10 arcsec. It can be used as a tilt platform – with Spring Clamp 840-0112 and Mounting post. The mount has holes of M6x0.35 mm holes on its base for adjustment screws. As standard, fine screws 870-0060 are used. The Mirror/Optics Mount 840-0060 has $\varnothing 6.2$ mm clear aperture.

SPECIFICATIONS

Mechanism	kinematic
Drive type	knob
Adjustments	Θ_x, Θ_y
Special features	platform mount
Angular range	$\pm 10^\circ$
Sensitivity	10 arcsec
Mounting thread	M4 (2 holes)
Fine screw thread	M6x35



840-0060



840-0060S

Complementary Products

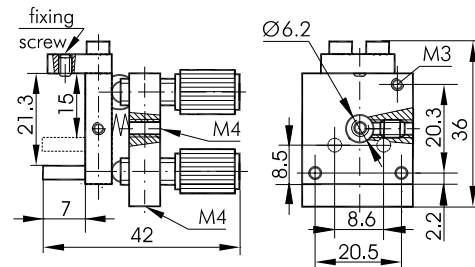
Code	Page
810-0130-02	8.26
810-0130-04	8.26
820-0020	8.33
840-0112	8.75

Code	Weight, kg	Price, EUR
840-0060	0.04	39
840-0060-00	0.04	49
840-0060-45	0.04	59
840-0060S	0.04	49

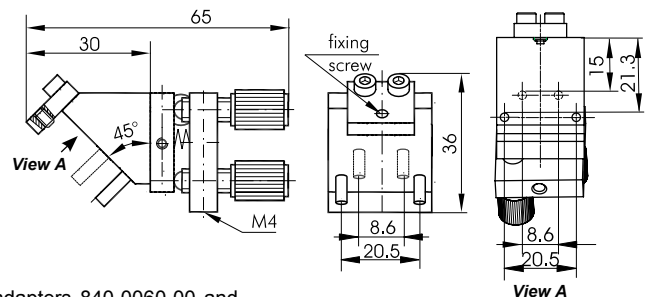
Modifications



840-0060-00



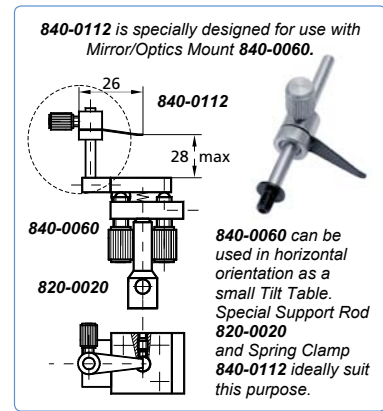
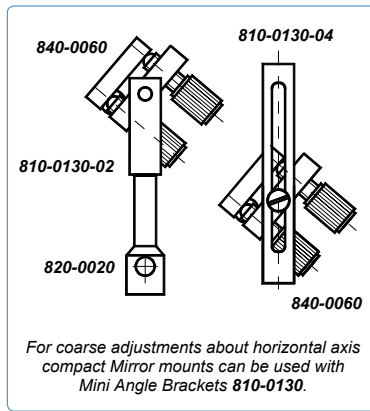
840-0060-45



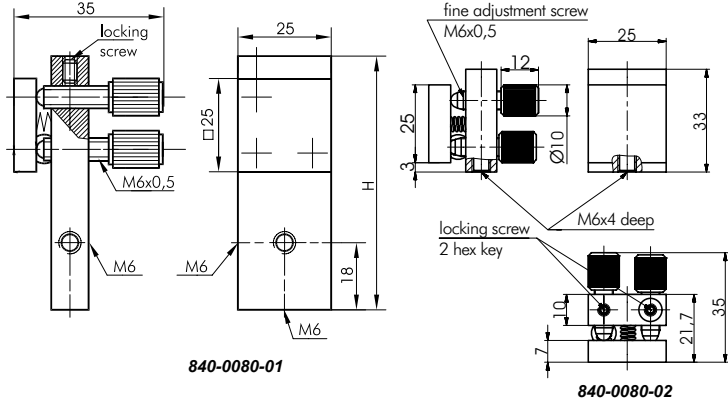
Mirror/Optics Mount 840-0060 with adapters 840-0060-00 and 840-0060-45 are suitable for round ($\varnothing 25.4$ (1") and $\varnothing 12.7$ (0.5")) and square (15x15 mm and 20x20 mm) optical elements.

Ordering Information:

- 840-0060 – standard mount
- 840-0060S – standard mount with wrench driven screws
- 840-0060-00 – mirror/optics mount with adapter (see drawing)
- 840-0060-45S – mirror/optics mount with adapter and screws (see drawing)
- 840-0112 – spring clamp



840-0080 MIRROR MOUNTS WITH LOCKING SCREWS



Miniature Precision Mirror Mounts ensure precise angular adjustments of small optics about two orthogonal axes with 10 arcsec sensitivity. Mirror Mounts are provided with M4 and M6 tapped holes for mounting. These black anodized aluminium mirror mounts are ideal for holding of 25 mm and smaller optic in tight spaces. Lock Screws Mirror Mount 840-0080 are provided with extended back for convenient mounting in horizontal or vertical position. Teflon fixture of driving screws ensures stability during exploitation.

Code	H, mm	Weight, kg	Price, EUR
840-0080-01	68	0.07	37
840-0080-02	33	0.04	35

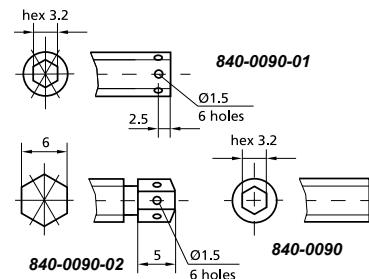
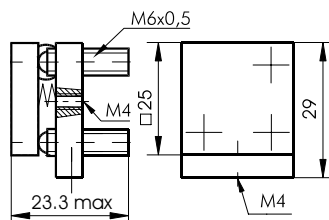
840-0090 COMPACT MIRROR MOUNT



The extremely small mount has small adjustment screws with a hexagonal head or a hexagonal keyhole. Miniature Precision Mirror Mount ensures precise angular adjustments of small optics about two orthogonal axes with 10 arcsec sensitivity. Mirror Mount is provided with M4 and M6 tapped holes for mounting. These black anodized aluminium mirror mount is ideal for holding of 25 mm and smaller optic in tight spaces. A suffix to the unit code

specifies adjustment screws of a desired type of drive:

- 840-0090** with hexagonal keyhole
 - 840-0090-01** with hexagonal keyhole and six holes for a wrench
 - 840-0090-02** with hexagonal head and six holes for a wrench.
- See figures to the right.



Code	Weight, kg	Price, EUR
840-0090	0.04	34
840-0090-01	0.04	36
840-0090-02	0.04	38