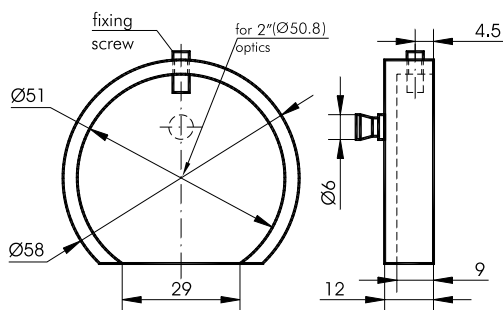


840-0110-A3

MIRROR ADAPTER



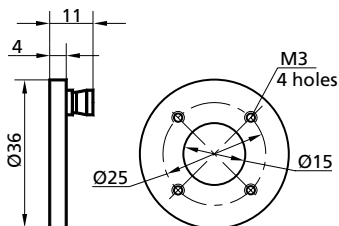
Connecting cone facilitates adjustment of the adapter. The cut-off side clears the edge of the optics for working with a beam very closely situated to another beam. Optics is firmly clutched by a stainless steel fixing screw and rests against the two contact lines formed at the cut-off side. The adapter is suitable for optical elements up to Ø50 mm (2 inch).

Code	Price, EUR
840-0110-A3	17

Note: for optics Ø20+25.4 mm adapter 840-0100-A3 is used.

840-0110-A5

PLATFORM ADAPTER



Allows to turn optics to a convenient position.

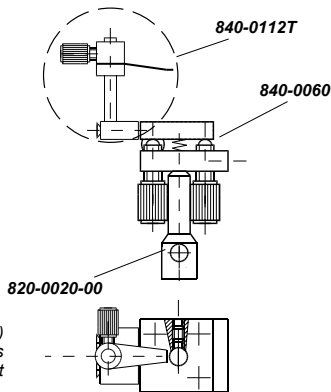
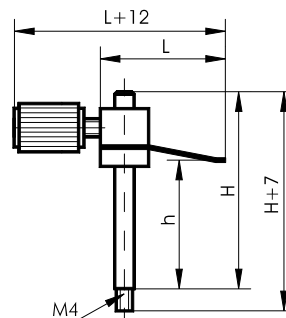
Code	Price, EUR
840-0110-A5	12

840-0111

SPRING CLAMPS



Spring Clamps 840-0111 are used to clamp components directly to surfaces of optical tables or translation stages. These Clamps are used to hold prismatic elements like glass blocks, prisms, cells. The Spring Clamps 840-0111 have an M4 external screw and can be mounted anywhere where M4 threaded holes are available.



840-0112T (includes the adapter) is designed for Mirror/Optics Mount 840-0060 when it is used as a tilting table.

Model	h, mm	H, mm	L, mm	Weight, kg
840-0111	0...52	65.5	40	0.02
840-0112	0...28	41.5	26	0.02

OPTICAL TABLES

BRACKETS & RAILS

BASE MOUNTS & ACCESSORIES

OPTICAL MOUNTS

OPTICAL POSITIONERS

BASE POSITIONERS

TRANSLATION & ROTATION STAGES

ADJUSTMENT SCREWS

MOTORIZED POSITIONERS