

**840-0155-04 FLIPPING MIRROR / BEAMSPLITTER MOUNT**



840-0155-04

- Flip optics in and out of the optical scheme
- Kinematic design
- Maximum optics thickness 7 mm
- Clear edge design
- Hex key drive optional
- Material: black anodized aluminium
- Mirror version available

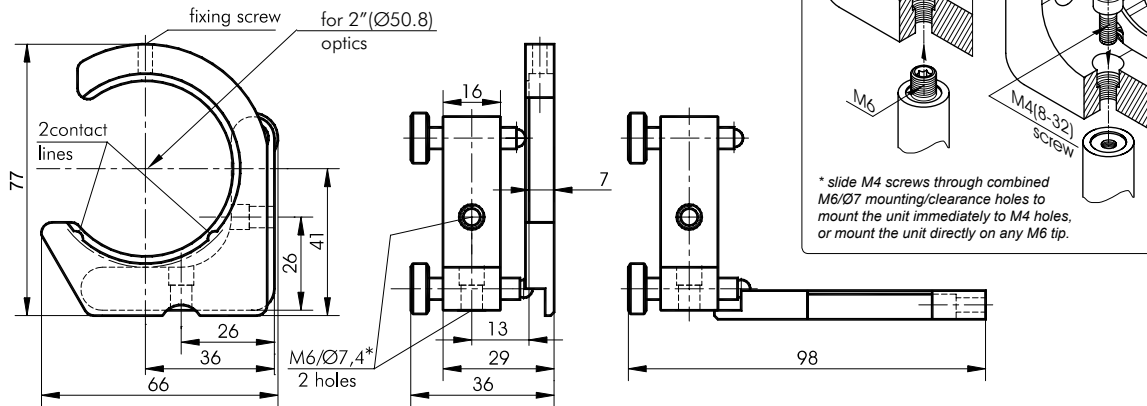


840-0155-05

**SPECIFICATIONS**

Fine screw thread	M6x0.25
Optics diameter	50.8 mm (2")
Clear aperture	49 mm
Repeatability	20 µrad
Tilt/tip range	8°
Sensitivity	3 arcsec

Code	Description	Price, EUR
840-0155-04	for Ø50.8 mm optics; screws with knobs	155
840-0155-05	for Ø50.8 mm optics; with hex screws	147

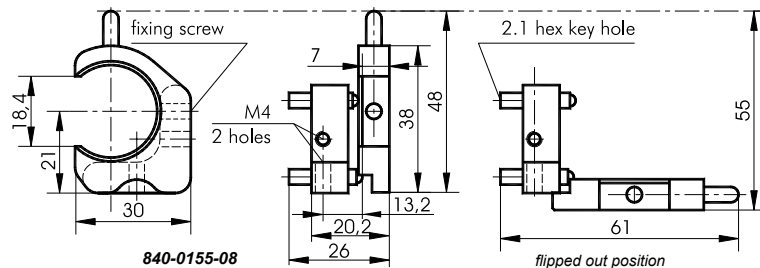


**840-0155-06  
840-0155-07  
840-0155-08  
840-0155-09** **MINIATURE FLIPPING MIRROR / BEAMSPLITTER MOUNT**

- Flip optics in and out of the optical scheme
- Repeatability 20 µrad
- Tilt/tip range 9°
- Sensitivity 8 arcsec
- For Ø12.7 and Ø25.4 mm (0.5" and 1") optics
- Clear edge design suits schemes where beam passes close to optics' edge
- Kinematic design
- High stability
- Hex key drive
- Material: black anodized aluminium
- Weight 0.02 kg
- "Mirror" versions available



840-0155-08

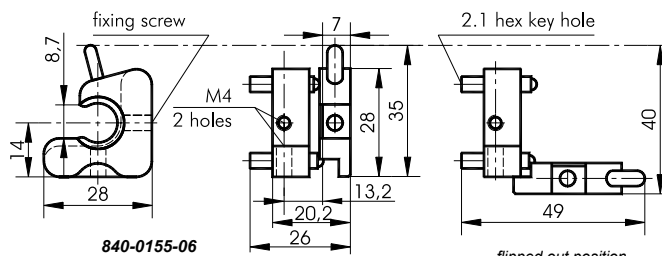


840-0155-08

OPTICAL TABLES  
BRACKETS & RAILS  
BASE MOUNTS & ACCESSORIES  
OPTICAL MOUNTS  
OPTICAL POSITIONERS  
BASE POSITIONERS  
TRANSLATION & ROTATION STAGES  
ADJUSTMENT SCREWS  
MOTORIZED POSITIONERS



840-0155-06



840-0155-06

flipped out position

Model	Type	Accepts optics	Clear aperture, mm	Price, EUR
840-0155-06		Ø12.7 mm (0.5 inch)	Ø10.2	99
840-0155-07	Mirror version	Ø12.7 mm (0.5 inch)	Ø10.2	99
840-0155-08		Ø25.4 mm (1 inch)	Ø24	104
840-0155-09	Mirror version	Ø25.4 mm (1 inch)	Ø24	104

Note: Mirror version is a right hand version of the standard.

**840-0160**  
**840-0170**

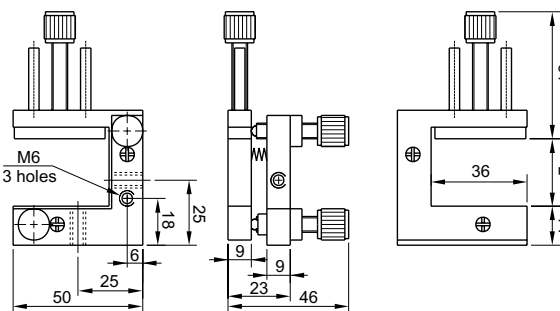
**PRISM HOLDERS**



840-0170-04



840-0160



840-0160

Prism holders 840-0160 and 840-0170 provide easy and safe mounting of prism type optics. Precision kinematic adjustment around two orthogonal axes ranges within  $\pm 6^\circ$ .

The screw position locks ensure right and reliable optical components position fixing. Precise screws provide 8 arcsec adjustment resolution. The model 840-0160 accepts optics 0–26 mm height.

The model 840-0170 accepts 24.5–51 mm

height optics. Additionally models 840-0160-02 and 840-0170-02 are completed with model 870-0010 precise screws. 840-00160-04 and 840-0170-04 options come with model 870-0020 micrometer screws with reading marks.

The models 840-0160 and 840-0170 are completed with steel screws M6×0.5 mm and brass collar with an outer thread M10×1 mm.

Finish: black oxidized steel.

**Complementary Products**

Code	Page
870-0010	8.138
870-0020	8.138
870-0071	8.142

Code	Optics L height, mm	Adjustment screw	Weight, kg	Price, EUR
840-0160	0+26	870-0071	0.22	63
840-0160-02	0+26	870-0010	0.28	115
840-0160-04	0+26	870-0020	0.28	125
840-0170	24.5+51	870-0071	0.24	65
840-0170-02	24.5+51	870-0010	0.30	117
840-0170-04	24.5+51	870-0020	0.30	127