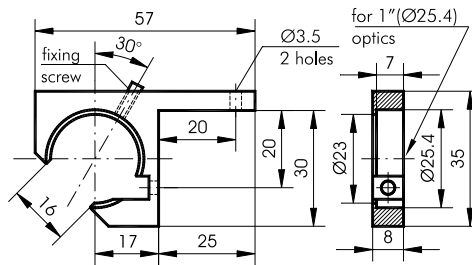


840-0110-A1

ROUND OPTICS ADAPTERS



840-0110-A1-2

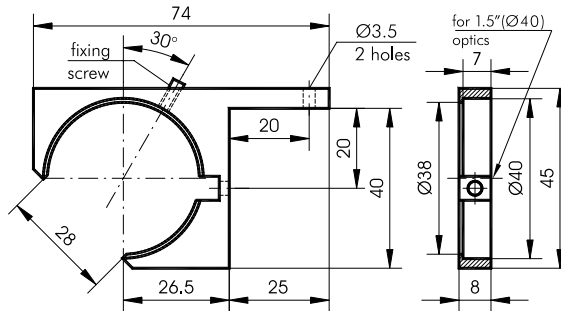


840-0110-A1 can be attached to the platform of 840-0110-T mount on any side. Optics is firmly held by a stainless steel fixing screw and it rests against two contact lines – the edges of the cut-off corner. The frame doesn't obstruct the view. It allows to work with two beams situated very close to each other. 840-0110-A1-4 fixes thin optical elements $\text{Ø}30+40$ mm.

840-0110-A1-2 fixes elements $\text{Ø}20+25$ mm (1").



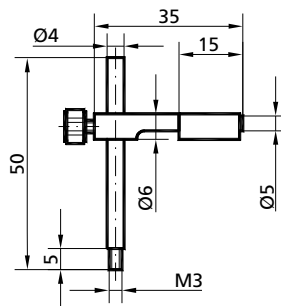
840-0110-A1-4



Code	Price, EUR
840-0110-A1-2	31
840-0110-A1-4	33

840-0110-A2

MINIATURE CLAMP



Code	Price, EUR
840-0110-A2	15

Ideal if a Mount is used as a Tilt platform. Plastic clutching pad clamps elements up to $\text{Ø}40$ mm (1.5").

